

MEGABOX



INSTRUCTION MANUAL

CONTENTS

Contents	1
Controls and Functions (Main Unit)	2
Controls and Functions (Main Unit)	3
Controls and Functions (Remote)	4
What's In The Box? / Basic Operation	5
Basic Operation	5
Bluetooth / USB / Recording	5
Ripping	6
Karaoke Discs / Downloads / Streaming	6
Technical Specification & Safety	7

Need Help?

Contact our UK Support Team via Whatsapp...

Scan QR Code on your phone, or message 07536 915468



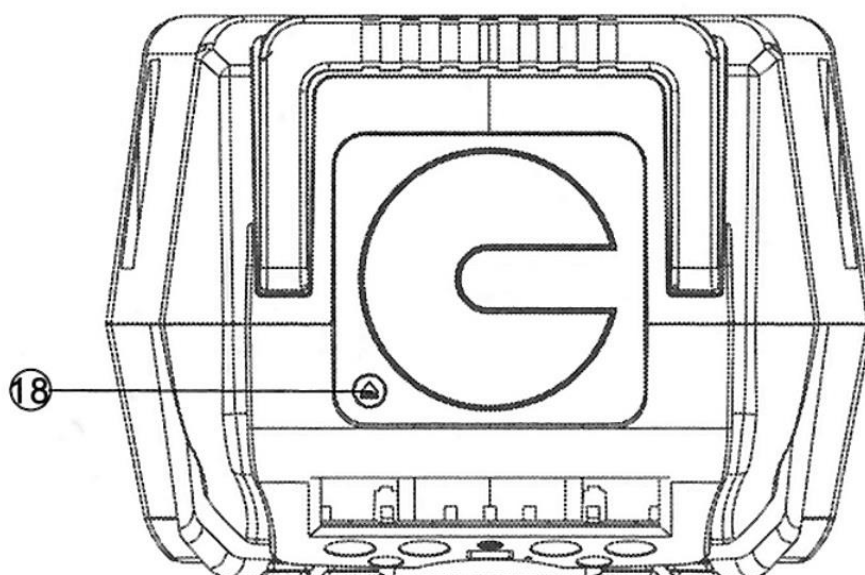
Please also check our Troubleshooting page for handy Setup guides and quick fixes to common problems...

www.mrentertainershop.co.uk/pages/troubleshooting

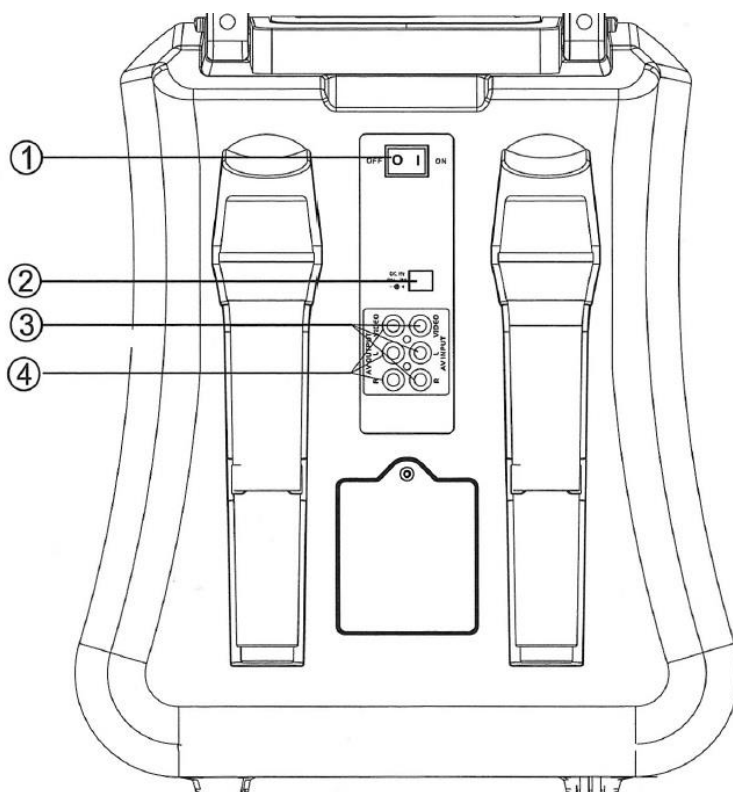
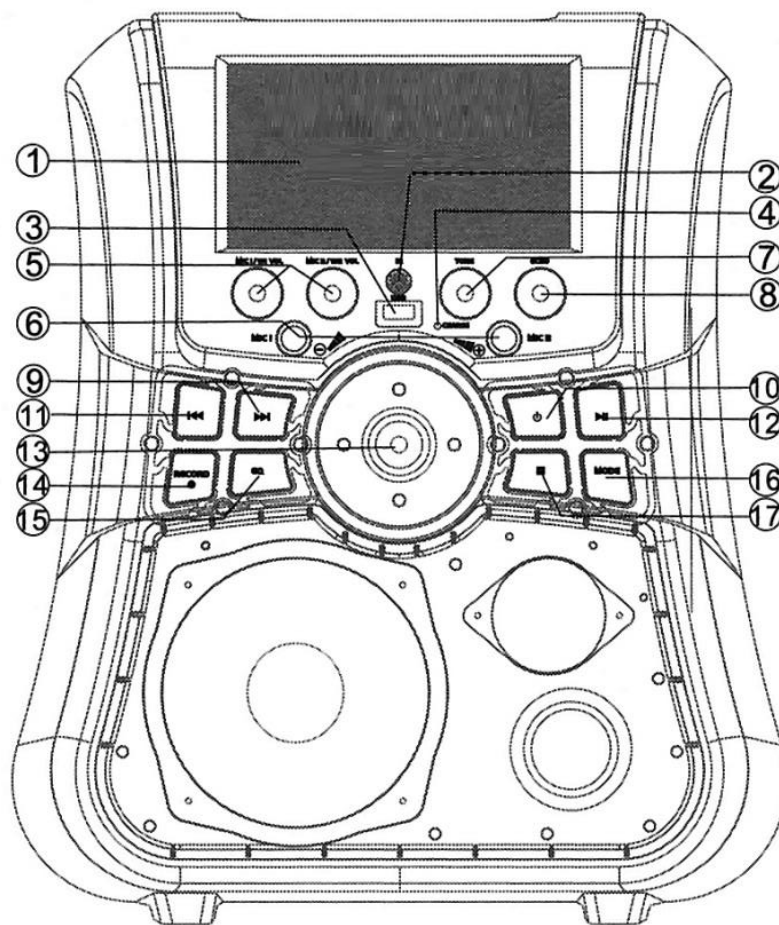


wa.link/3u39k6

CONTROLS & FUNCTIONS



CONTROLS & FUNCTIONS



CONTROLS & FUNCTIONS

2.

FRONT PANEL

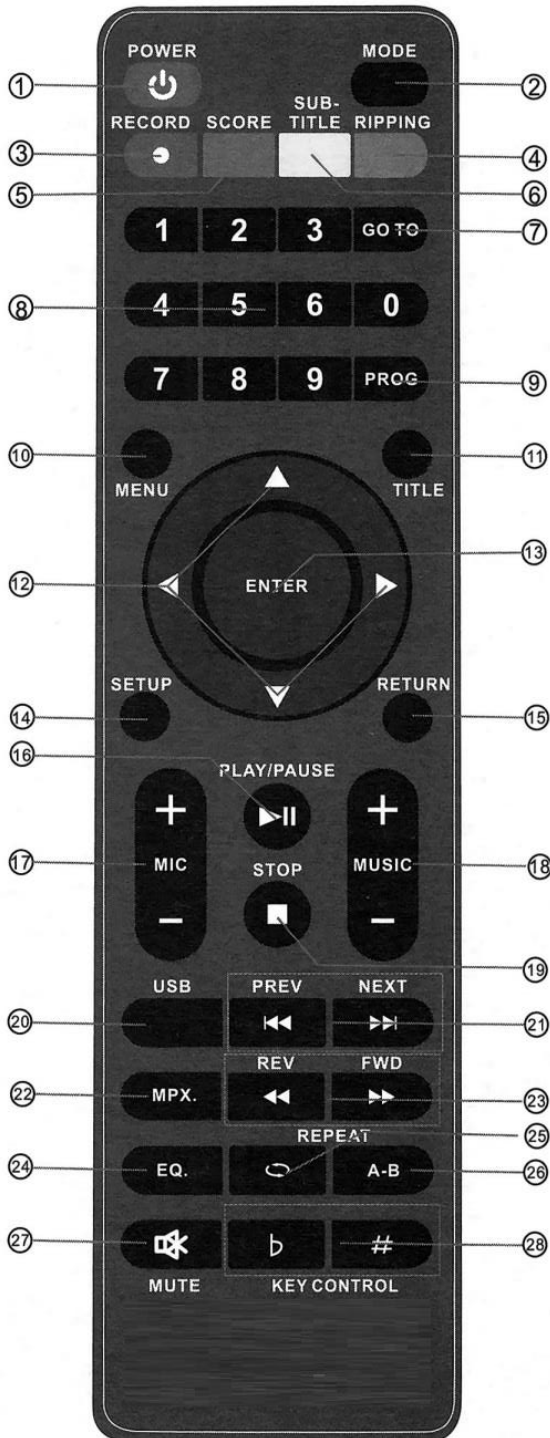
1. **7" SCREEN**
2. **REMOTE SENSOR.** Receives signal from remote control
3. **USB INPUT.** Insert USB stick to play & record media files
4. **CHARGE LED.** Light on when charging, turns off when fully charged
5. **MIC VOLUME.** Adjust volume level of Mics
6. **MIC INPUTS.** Connect cabled microphones using 1/4inch Jack plug
7. **MIC TONE.** Adjust tone of Mics
8. **MIC ECHO.** Adjust echo level of Mics
9. **PREV.** Go to previous track
10. **POWER.** Power On/Off
11. **NEXT.** Go to next track
12. **Play/Pause.** Play/Pause current track
13. **MUSIC VOLUME.** Adjust music volume level
14. **RECORD.** Record performance (from CD to USB stick only)
15. **EQ.** Adjust music EQ mode to suit musical taste
16. **MODE.** Choose input mode (Disc, Bluetooth, AV Input)
17. **STOP.** Stops playing current track
18. **EJECT.** Opens CD disc tray cover

REAR PANEL

1. **MASTER POWER SWITCH.** Must be ON for device to function
2. **DC IN.** Connect Power Adaptor from wall outlet. ****Only use adaptor included****
3. **AV OUTPUT.** For outputting to external devices such as TV, Amplifier etc
4. **AV INPUT.** For inputting external devices such as DVD Players

3.

CONTROLS & FUNCTIONS (REMOTE)



1. **POWER.** Turns power on/off
2. **MODE.** Choose input mode (BT/DISC/AV)
3. **RECORD.** Record performance
4. **RIPPING.** Rip Tracks (see page 5)
5. **SCORE.** Gives vocal score after song
6. **SUBTITLES.** Available on some DVD's
7. **GO TO.** Jump to specific track on DVD. Change CH number to track required and press ENTER
8. **NUMBERS.** Jump to specific track on CD
9. **PROG.** Set desired playback order on CD
10. **MENU.** Access DVD menu (when available)
11. **TITLE.** Access DVD Title Screen (when available)
12. **ARROWS.** Use to navigate menu screens etc
13. **ENTER.** Use to confirm selections in menu etc
14. **SETUP.** Adjust device settings
15. **RETURN.** Go back to previous screen
16. **PLAY/PAUSE.** Play/Pause current track
17. **MIC VOLUME.** Adjust volume level of Mics
18. **MUSIC VOLUME.** Adjust music volume level
19. **STOP.** Stops playing current track
20. **USB.** Selects USB as input mode (when available)
21. **NEXT/PREV.** Next/Previous track
22. **MPX.** Vocal channel selector for use with Multiplex style karaoke tracks
23. **REV/FWD.** Rewind/Fast Forward (non CDG only)
24. **EQ.** Adjust music EQ mode to suit musical taste
25. **REPEAT.** Adjust repeat options
26. **REPEAT A-B.** Set A-B playback loop
27. **MUTE.** Turns off sound
28. **KEY CONTROL.** Adjust key of music

WHAT'S IN THE BOX?

- ❖ Megabox Karaoke Machine
- ❖ Remote Control
- ❖ UK Standard Plug DC9V Power Supply
- ❖ 4 x AA Batteries for Microphones
- ❖ 2 x AAA Batteries For Remote Control
- ❖ 2 x Microphones
- ❖ Instructions Guide
- ❖ 1 x 3 RCA Cable

BASIC OPERATION

Plug the power adaptor into the back of the system and the power supply into the mains. Switch on the master power on the rear of the machine, then turn on the device. The unit will go straight to CD Mode and start playing (if a disc is inserted). To change to a different mode, press the MODE button.

BLUETOOTH

Press MODE button and until you reach BLUETOOTH to put device into pairing mode. Use your smart device to connect, search for device name MEGABOX. If you cannot find or connect to MEGABOX, ensure there are no other devices connected to the unit. You must disconnect other devices before connecting new one. If you are unsure which device is already connected, take speaker to a different room and attempt connection again.

***PLEASE NOTE. Bluetooth is audio only technology, it will only play audio from your smart device, the video will not be shown on built in screen. ***

USB MODE

Remove any CD/DVD discs from the disc tray, Insert USB stick and press MODE to select USB MODE, to playback digital MP3 & MP3G Files. Please note MP3+G files must be in UNZIPPED format. Please note, the Megabox is not a computer, so will struggle to read large hard drives with lots of songs.

RECORDING

Record your vocal performances with the RECORD feature. Please note recording can only be done when playing a CD or CDG disc, does not work when playing DVD, Bluetooth, AUX or USB

1. Insert your CD/CDG disc and microphones
2. Insert your USB Stick
3. Skip to your desired track
4. Once your track is playing press the RECORD button. The track will start again from the beginning and recording will start, so you can start singing
6. At the end of the song, recording will be saved on your USB stick in MP3G format

CONNECTING TO A TV

Use the included Red/White/Yellow RCA cables with the AV OUTPUTS on the rear panel, and connect to the corresponding inputs on your TV, ensuring you have the correct input selected on your TV. Once successful the picture will now be shown on your TV screen instead of the built in screen on the MEGABOX and the audio will also be heard through your TV speakers. If your TV does not have the required Red/White/Yellow RCA inputs, you may need an RCA TO HDMI adaptor.

IMPORTANT

For best results use with power adaptor connected, when battery is low some functions may begin to deteriorate before going battery goes fully flat, if that happens recharge battery and try again.

CD RIPPING

Convert CDG karaoke discs to digital MP3G files using the RIP feature. Please note, whilst the ripping feature does work, it is limited, so if you need to Rip a lot of files it is still preferable to use a Computer.

To start the process insert a CDG disc, insert a USB stick and press the RIPPING button on the remote to get started. Use the directional arrows to select your preferences, then click START to start ripping.

MP3G files will now be stored on your USB stick, with file names Track01, Track02 etc. To change the filenames to include song titles and artists insert the USB stick into a computer and rename manually, however ensure both CDG & MP3 filenames are identical otherwise they will not work.

KARAOKE DISCS, DOWNLOADS & STREAMING

There are lots of ways to enjoy karaoke using your MEGABOX as it will play a variety of formats. Here are some suggestions...

KARAOKE DISCS

The Megabox will play the two most popular type of karaoke discs CD+G and DVD, pretty much all karaoke discs available come in one of these formats. Visit our website to create your own personalised karaoke disc, choosing only the tracks you want! Choose from the world's largest and most up to date collection of karaoke tracks!

www.mrentertainer.co.uk

Our tracks are also available in handy pre-compiled albums in a variety of formats and genres, such as KIDS PARTY, CHART GIRLS, REGGAE, COUNTRY and many more. For more information visit...

www.mrentertainershop.co.uk

KARAOKE DOWNLOADS

The Megabox will play digital MP3+G karaoke files. MP3+G is the most widely used format for digital karaoke files. Visit our website to search/browse for your favourite songs and download instantly in MP3+G format for playback on your Megabox.

www.mrentertainer.co.uk

KARAOKE STREAMING

Thanks to the Bluetooth feature, you can even stream songs online via your phone/tablet and sing along via the Megabox. (Bluetooth will send audio only to your Megabox, song lyrics will only display on your phone/tablet, not on the Megabox screen).

There are lots of places to find and play karaoke videos online to sing along with using your MEGABOX, here are a few suggestions, or search your App Store for some excellent Karaoke Apps.

www.mrentertainer.online

Free Karaoke videos from Mr Entertainer Karaoke. Play karaoke for free on your phone, tablet or computer, no subscription required.

www.youtube.com

There are millions of karaoke and lyric videos available to play for free on Youtube, search for your favourite songs & artists, but be sure to include the word KARAOKE so you are shown karaoke versions

TECHNICAL SPECIFICATIONS

Signal Output: PAL/NTSC/AUTO

Mic Frequency: VHF 173.800 & 175.000

Audio System: Audio DAC24bit/96KHz

Video Format Support: MPEG-4, DIVX, DVD Video, DVD Audio, Super Video, CD, CD-DA, HDCD, CD-R/RW

Audio Format Support: MPEG1, LAYER1, LAYER2, LAYER3

POWER SUPPLY AND BATTERIES

The unit has a built in rechargeable battery. The light Indicator (Ref.15) on the front of the unit will light up Green when charging, the light will turn off when fully charged. If the light flickers this highlights that the battery is damaged, please disconnect immediately. When the light is Red the unit has lower power and needs to be recharged via the mains plug. The unit takes approximately 4 hours to fully charge.

WARRANTY

All products and parts come with a standard 12 month warranty from date of purchase.

If you have any problems please contact your retailer for help.

SAFETY INFORMATION

1. Read these instructions.
 2. Keep these instructions.
 3. Heed all Warnings.
 4. Follow all instructions.
 5. Do not clean the apparatus near or with water. 6. Clean only with a dry cloth.
 7. Do not block any ventilation openings.
- Install in accordance with the manufacturer's instructions.
8. Do not install near any heat sources such as radiators, heat registers, stoves, or other apparatus (including amplifiers) that produce heat.
 9. Protect the power cord from being walked on or pinched particularly at plugs, convenience receptacles, and the point where they exit from the apparatus.
 10. Only use attachments/accessories specified by the manufacturer.
 11. Unplug this apparatus during light storms or when unused for long periods of time.
 12. Refer all servicing to qualified service personnel. Servicing is required when the apparatus has been damaged in any way, such as power- supply cord or plug is damaged, liquid has been spilled or objects have fallen into the apparatus, the apparatus has been exposed to rain or moisture, does not operate normally or has been dropped.
 13. No naked flame sources, such as lit candles, should be placed on the apparatus.
 14. Dispose of used electrical products and batteries safely according to your local authority and regulations.

ADDITIONAL WARNINGS

The apparatus shall not be exposed to dripping or splashing and no objects filled with liquid, such as vases, shall be placed on apparatus.

Main plug is used to disconnect device and it should remain readily operable during intended use. In order to disconnect the apparatus from the main mains completely, the mains plug should be disconnected from the main socket outlet completely.


Battery shall not be exposed to excessive heat such as sunshine, fire or the like

Mr Entertainer Karaoke
Digitop Ltd
Unit 11A Bridge Trade Park
Camberley
Surrey
GU15 2QR
www.mrentertainershop.co.uk





RECYCLING ELECTRICAL PRODUCTS


You should now recycle your waste electrical goods and in doing so help the environment.

 This symbol means an electrical product should not be disposed of with normal household waste. Please ensure it is taken to a suitable facility for disposal when finished with.

IMPORTANT: Please read all instructions carefully before use and keep for future reference

 Risk of electric shock.
Do not open

 Read all instructions carefully before use and keep for future reference

 When servicing, use only identical replacement parts

