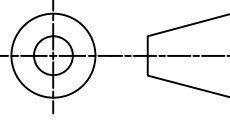

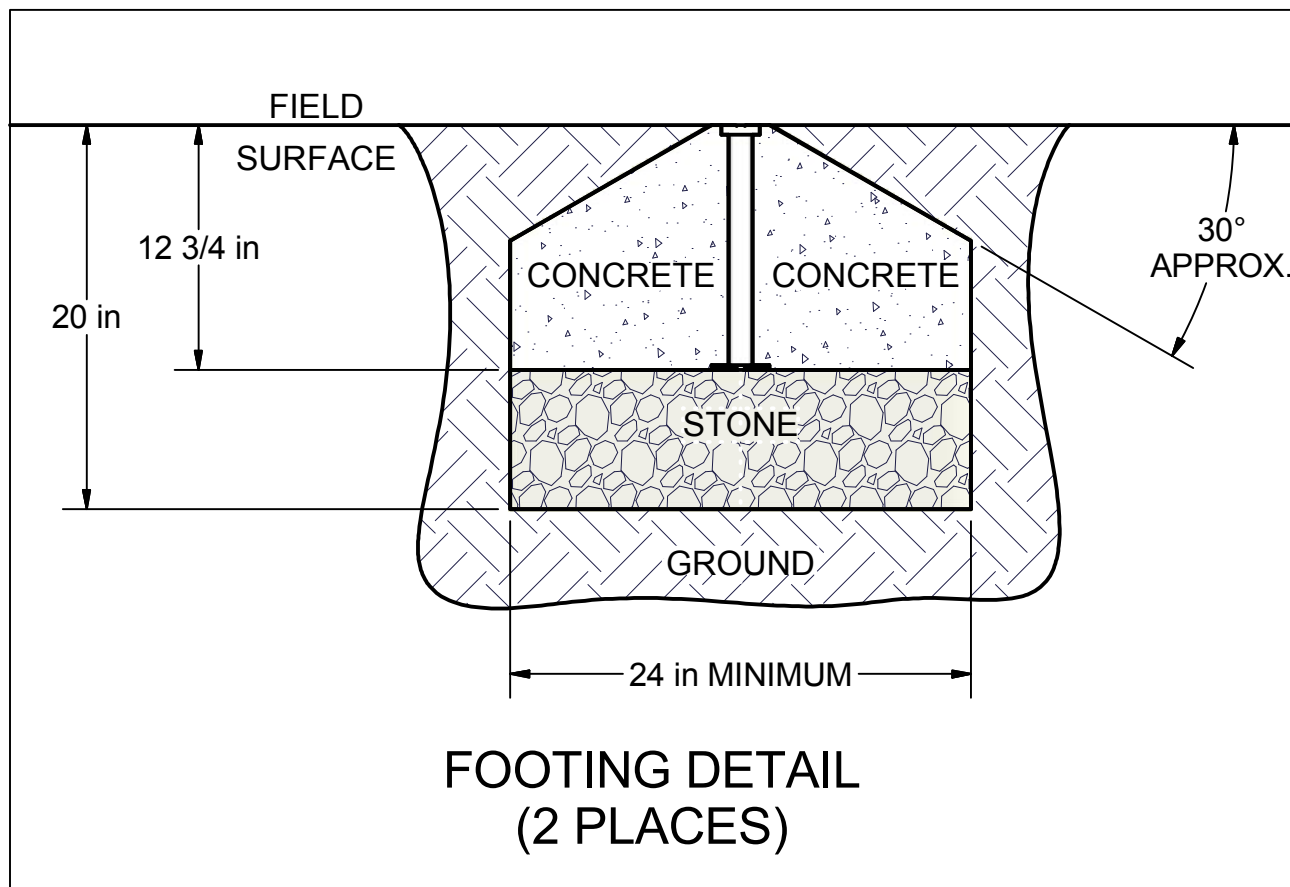
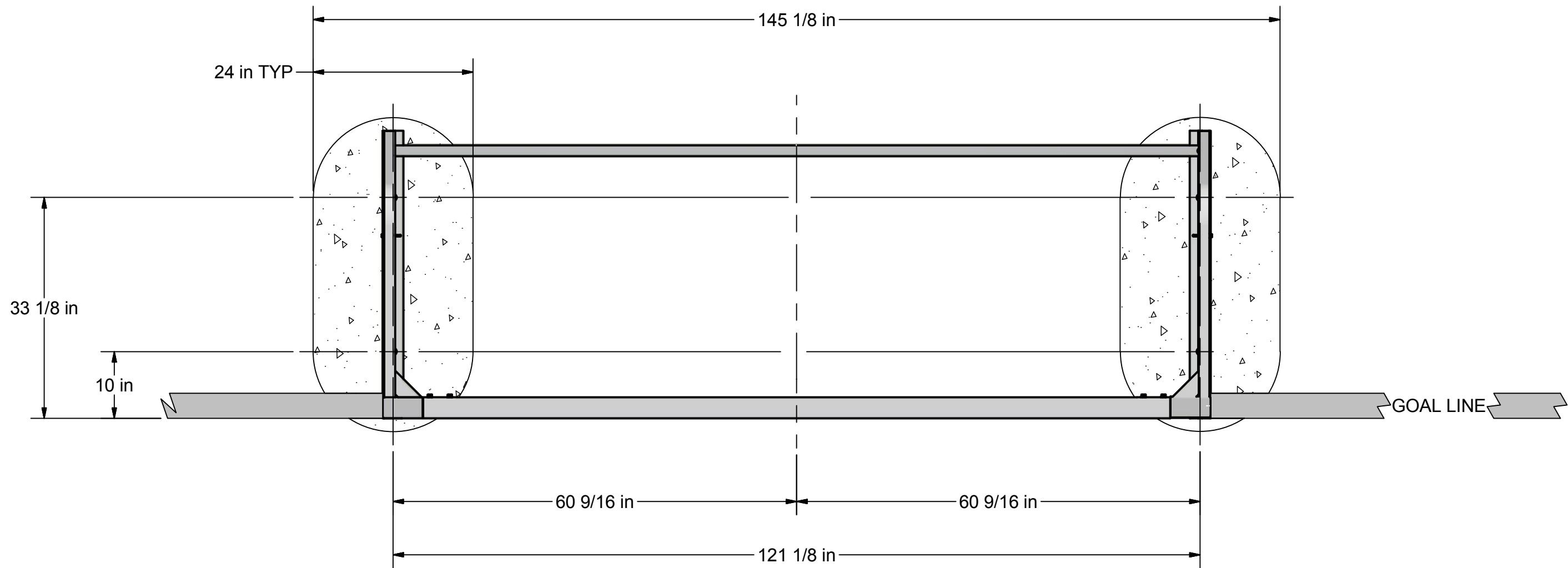


FEATURES:

- 1) ALUMINUM GOAL FRAME
- 2) FINISH:
GOAL FRAME - WHITE POWDER COAT
BACK BOTTOM BAR - MILL FINISH
- 3) INCLUDED:
SEMIPERMANENT GROUND ANCHORS (4)
SADDLE ANCHOR BAGS (4)
4 mm, WHITE NET
KWIK LOCK® NET CLIPS
PROTECTIVE FLOOR PADS (4)
- 4) ASSEMBLED WEIGHT:
GOAL: 86 LBS.
- 5) EXCEEDS:
USFF SPECIFICATIONS

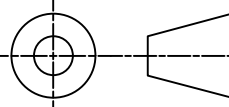

 THIRD ANGLE PROJECTION	 KWIKGOAL ® 140 Pacific Drive Quakertown, Pa. 18951	
DIMENSIONS ARE IN INCHES UNLESS OTHERWISE SPECIFIED This item is the exclusive property of KWIK GOAL LTD. Reproduction or duplication without the express written consent of KWIK GOAL LTD. is strictly forbidden.	Approved By:	Part #: 2P201
	Date:	
	Drawn By: brush	Desc: OFFICIAL FUTSAL GOAL
	Date: 8/3/2004	
Sheet: 1 of 4		
Revision #: 4	Cad File: 2P201.idw	

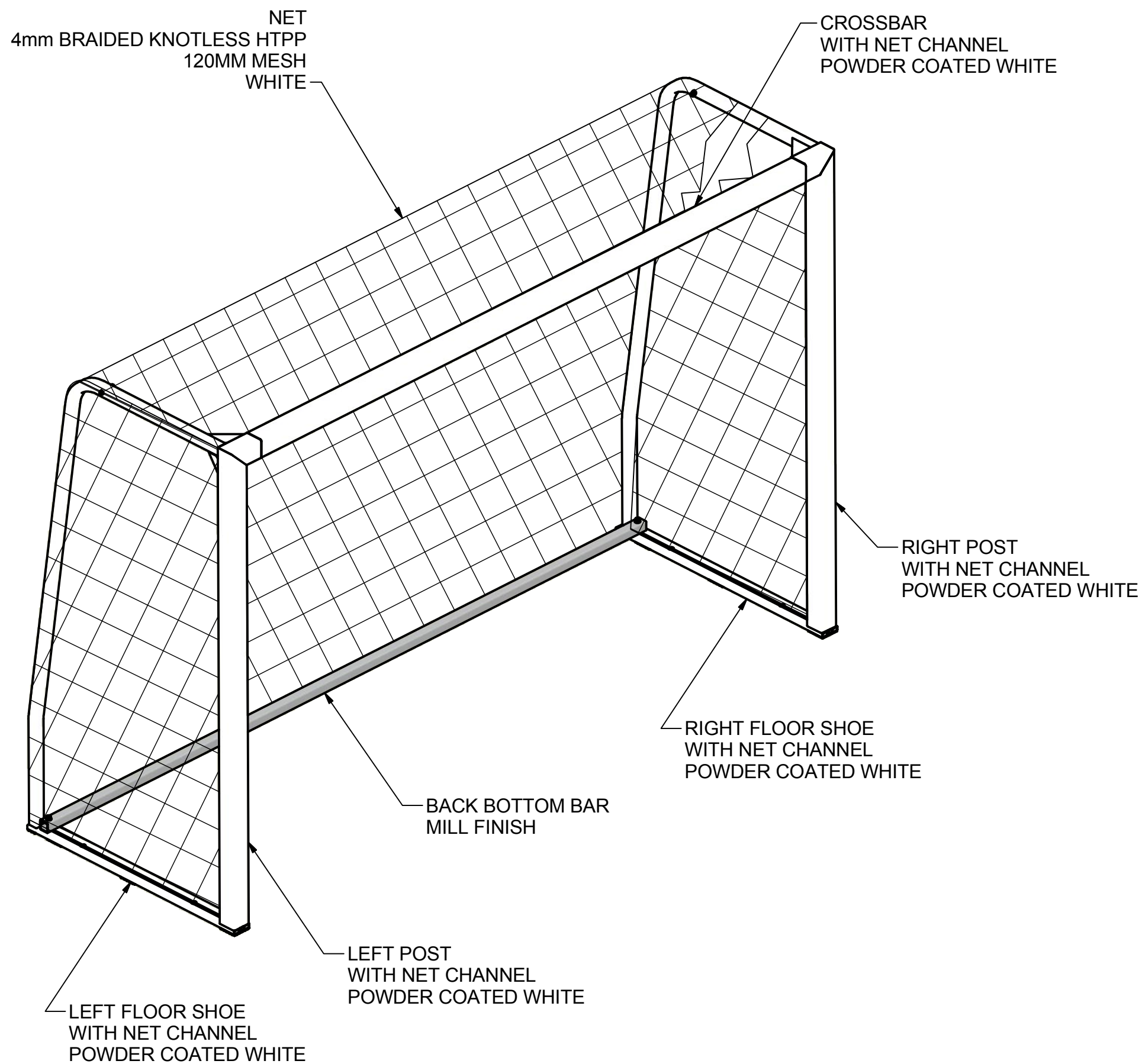
OVERHEAD VIEW



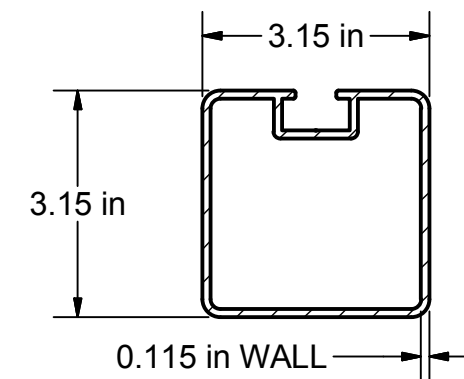
NOTES:

- 1) DIMENSIONS ARE FOR PLANNING PURPOSES. INSTALLATION MUST BE IN ACCORDANCE WITH INSTALLATION INSTRUCTIONS.
- 2) CUSTOMER SUPPLIED MATERIALS FOR GOAL INSTALLATION
 0.6 cubic yard - CONCRETE
 0.3 cubic yard - CLEAN STONE (1/4" - 3/4")
 ABOVE AMOUNTS ARE PER GOAL INSTALLATION

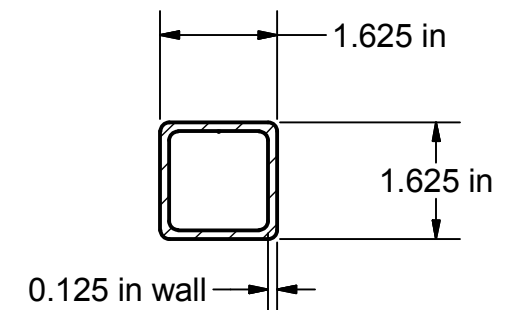
 THIRD ANGLE PROJECTION	 140 Pacific Drive Quakertown, Pa. 18951	
	DIMENSIONS ARE IN INCHES UNLESS OTHERWISE SPECIFIED	Approved By: Date:
This item is the exclusive property of KWIK GOAL LTD. Reproduction or duplication without the express written consent of KWIK GOAL LTD. is strictly forbidden.	Drawn By: brush	Desc: OFFICIAL FUTSAL GOAL
	Date: 8/3/2004	
	Sheet: 2 of 4	
	Revision #: 4	
	Cad File: 2P201.idw	



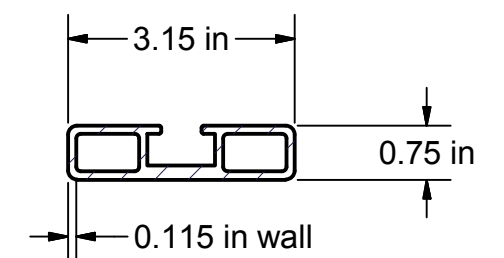
MATERIAL DETAILS



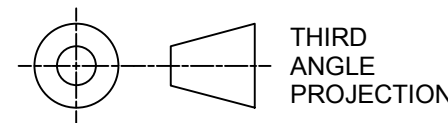
FRONT POST & CROSSBAR
MATERIAL - ALUMINUM



BACK BOTTOM BAR
MATERIAL - ALUMINUM



FLOOR SHOE
MATERIAL - ALUMINUM



KWIKGOAL® 140 Pacific Drive
Quakertown,
Pa. 18951

DIMENSIONS ARE IN INCHES
UNLESS OTHERWISE SPECIFIED

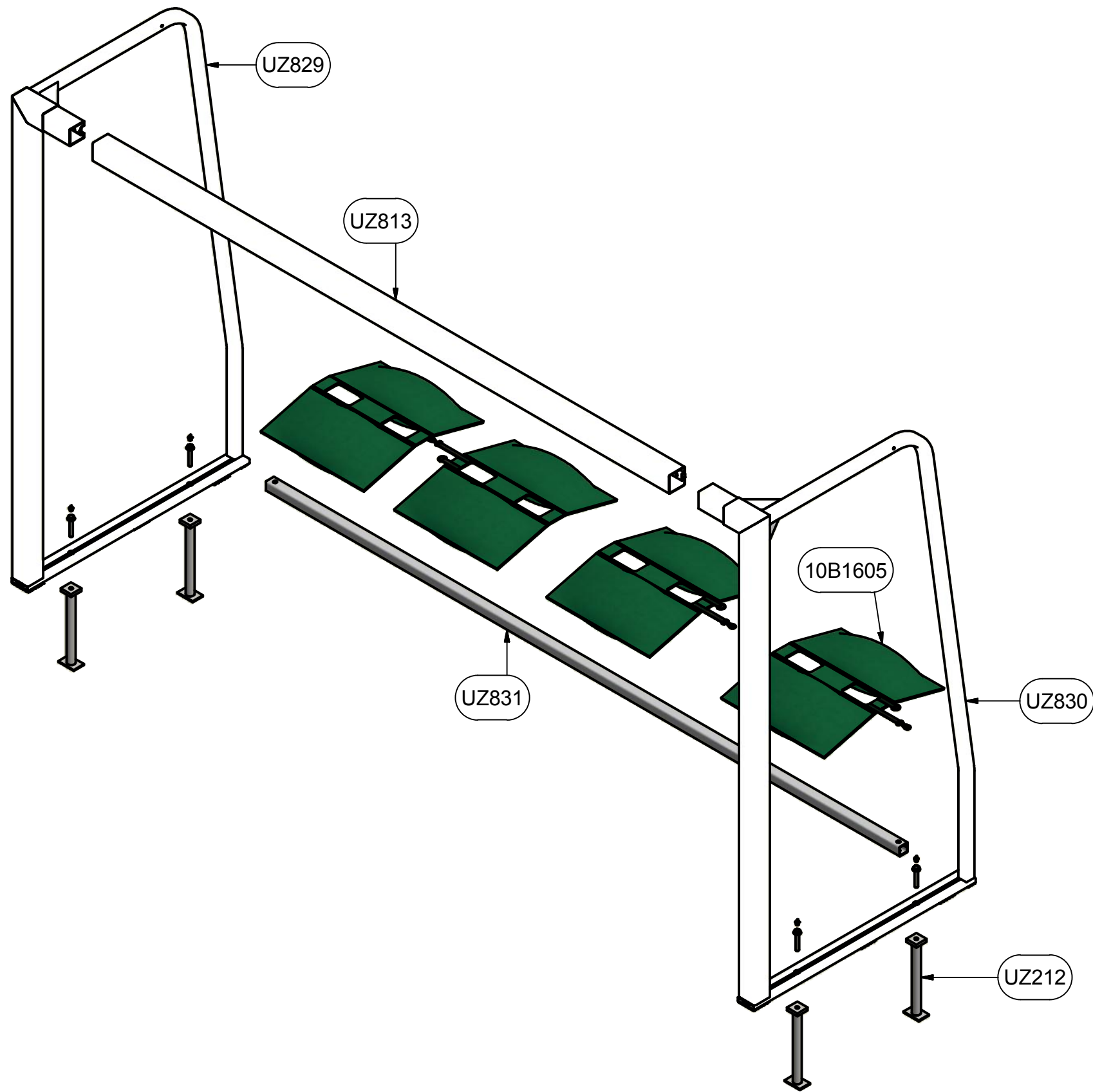
Approved By:
Date:

Part #:
2P201

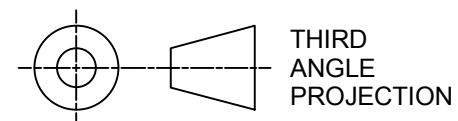
This item is the **exclusive**
property of **KWIK GOAL LTD.**
Reproduction or duplication
without the express written
consent of **KWIK GOAL LTD.**
is **strictly forbidden.**

Drawn By: brush
Date: 8/3/2004
Sheet: 3 of 4
Revision #: 4
Cad File: 2P201.idw

Desc:
OFFICIAL FUTSAL GOAL



Parts List		
Part #	Qty	Description
UZ212	4	GROUND ANCHOR ASSEMBLY
UZ813	1	2P201 FUTSAL CROSSBAR
UZ829	1	LEFT ARM, 2P201 FUTSAL GOAL
UZ830	1	RIGHT ARM, 2P201 FUTSAL GOAL
UZ831	1	BACK BOTTOM BAR, 2P201
10B1605	4	SADDLE ANCHOR BAG
3B5001	1	NET, 4MM, WHITE



KWIKGOAL® 140 Pacific Drive
Quakertown, Pa. 18951

DIMENSIONS ARE IN INCHES
UNLESS OTHERWISE SPECIFIED

Approved By:
Date:

Part #:
2P201

This item is the **exclusive** property of **KWIK GOAL LTD.** Reproduction or duplication **without** the express written consent of **KWIK GOAL LTD.** is **strictly forbidden.**

Drawn By: brush
Date: 8/3/2004
Sheet: 4 of 4
Revision #: 4
Cad File: 2P201.idw

Desc:
OFFICIAL FUTSAL GOAL