

MTS201 Compression Load Cell

Features

- Capacities 20 to 50t.
- Hermetically sealed
- Laser welded
- Oil-proof, waterproof
- High accuracy.
- Column construction.
- Easy installation
- Reliable performance.
- IP68 Sealing
- 150% safe overload
- Self Aligning



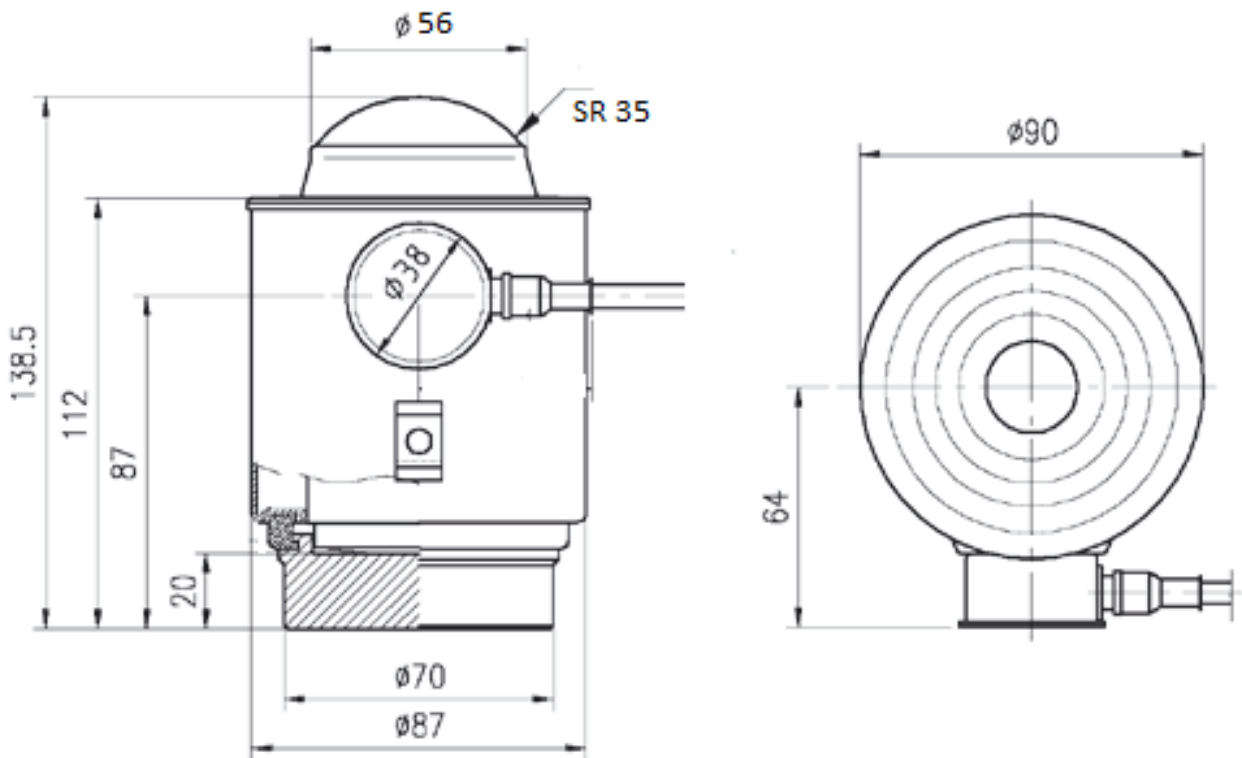
Applications

Truck scale, railway scale, floor scale, hopper / silo scales

Capacity	Tonnes	20, 30, 40 and 50t
Combined error	(%FS)	$\leq \pm 0.023$
Creep	(%FS/30min)	$\leq \pm 0.020$
Temperature effect on sensitivity	(%FS/10°C)	$\leq \pm 0.010$
Temperature effect on zero	(%FS/10°C)	$\leq \pm 0.020$
Output sensitivity	(mV/V)	2.0 ± 0.01
Input resistance	(Ω)	650 ± 25
Output resistance	(Ω)	610 ± 15
Insulation resistance	(M Ω)	≥ 5000 (50VDC)
Zero balance	(%FS)	1.0
Temperature, Compensated	(°C)	-10~+40
Temperature, Operating	(°C)	-40~+65
Excitation, Recommended	(V)	5~12(DC)
Excitation, Max	(V)	18(DC)
Safe overload	(%FS)	150
Ultimate overload	(%FS)	300

MTS201 Compression Load Cell

Dimensions (mm)



Cable: 5mm dia , 12m long

Excitation+: Red, Excitation-: Black

Signal+ : Green, Signal- : White

Accessories:

Top Load buttons

Specifications are subject to change without notice for improvement

MTS201REV1 27092022