

# MT606 Load Cell



<u>Features</u>	<u>Applications</u>
Single Point Load cell	Platform scales
Capacities from 15 to 100kg	Retail Scales
Made from Aircraft quality Aluminum	Check weighing scales
Silicone Sealed	Price Computing Scales
400mm* 400mm platform size	

## Specifications

Capacity	Kg	15, 30, 50 and 100kg
Combined Error	(%FS)	≤±0.020
Creep (30 minutes)	%FS/30min	≤±0.024
Temperature effect on sensitivity	(%FS/10C)	≤±0.012
Temperature effect on zero	(%FS/10C)	≤±0.020
Output sensitivity	(mv/v)	2.0±0.2
Input resistance	(Ω)	409+/-20
Output resistance	(Ω)	350+/-3.5
Insulation resistance	(MΩ)	≥ 5000 (50VDC)
Zero balance	(%FS)	2.0
Temperature, Compensated	(°C)	-10~+40
Temperature, Operating	(°C)	-20~+60
Excitation, Recommended	(V)	5~12(DC)
Excitation, Max	(V)	18(DC)
Safe overload	(%FS)	150
Ultimate overload	(%FS)	300

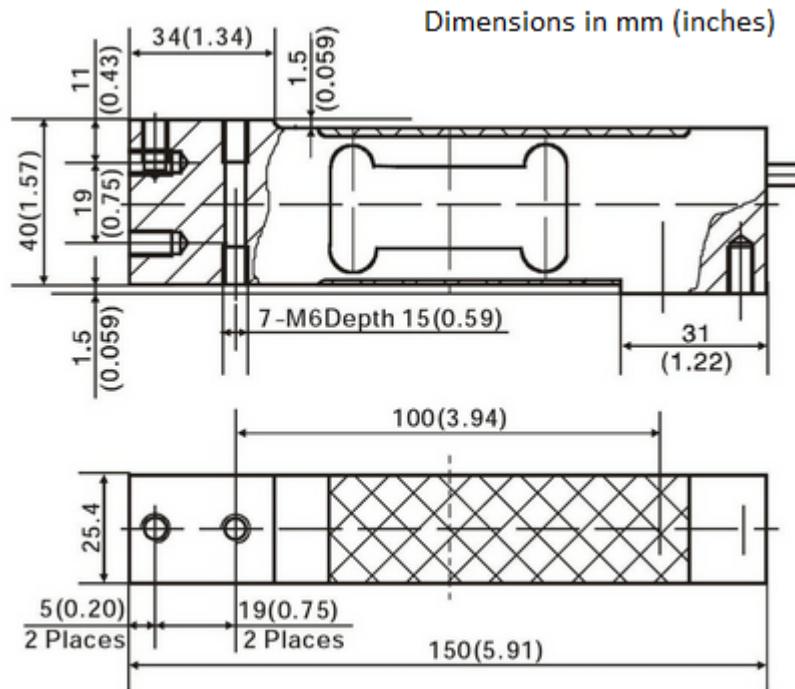


Millennium Mechatronics Limited  
 Email: [info@meltrons.com](mailto:info@meltrons.com) | [www.meltrons.com](http://www.meltrons.com)



# MT606 Load Cell

## Dimensions



### Cable

4 Core, 5 mm dia ,Cable Length: 2m long

### Color Code

Exc+ Red, Exc- Black

Sig+ Green, Sig- White

Screen- Transparent

Specifications are subject to change without notice for improvement

MT606EV01-05102023



Millennium Mechatronics Limited  
Email: [info@meltrons.com](mailto:info@meltrons.com) | [www.meltrons.com](http://www.meltrons.com)

