

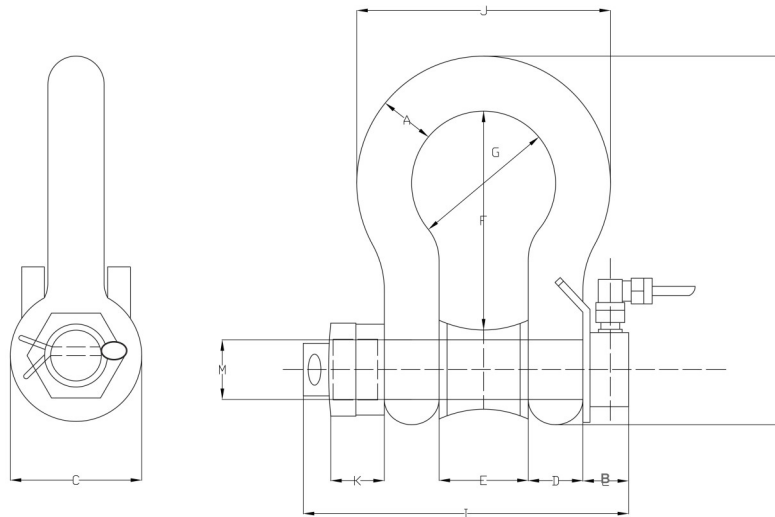
# MT408 Shackle Weigher

## Features

- 3, 5, 10 and 25t Capacities
- Double Ended Shear beam
- Stainless Steel Load pin
- Laser welded load pin
- Fully Assembled
- MI104 Indicator
- MT408SLP load pin with 10m cable



## Specifications



Capacity	A	B	C	D	E	F	G	H	I	J	K	M
3t*0.002t	16	31	40	16	27	64	43	114	116	79	16	19
5t*0.005t	22	30	53	22	36	83	58	157	143	107	23	22
10t*0.010t	32	30	74	32	51	115	83	218	192	154	31	35
25t*0.020t	45	36	104	45	74	178	126	314	267	226	24	50



Millennium Mechatronics Limited  
 Email: [info@meltrons.com](mailto:info@meltrons.com) | [www.meltrons.com](http://www.meltrons.com)

