

CL7200 SERIES

TOUCH SCREEN & MULTIMEDIA POS Scale

CL7200 features an easy-to-use 10.2" touch screen display and a 7" full color multimedia customer display. Use the multimedia display to promote marketing videos or images.

- 140,000+ PLU capacity: program upto 99 categories with 20 pages per category and 72 direct PLUs per page
- Built-in thermal printer: label or receipt
- CL-Works Pro PC software
- Multiple interfaces: USB, LAN, RS232C and Cash Drawer



CL-Works Pro



Large 10.2" display screen



Scan with your smartphone
to find more products



CL7200 SERIES

Features

Splash resistant

The touch screen display is splash-resistant by design in order to prevent breakdowns due to liquid spills.



Large 10.2" user display screen

Clearly view all metrics and PLU information.



Convenient GUI

User-oriented and convenient GUI interface. Easy to input and change settings.



User-friendly interface

Easy to navigate touch screen that reduces user input errors.



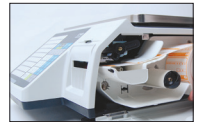
Quality built-in thermal printer

Printing speed of 100mm/sec and resolution of 202dpi. Print labels or tickets.



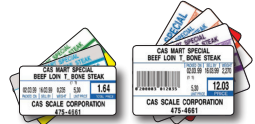
Convenient printer cassette application

Quick and easy way to replace label or ticket rolls. Simply remove the cassette and replace the roll then reinsert the cassette.



Diverse range of barcodes and label formats

45 basic preset label formats and a diverse range of barcodes. Capable of free format design using CL-WORKS program.



Supports a diverse range of interfaces

It is possible to establish a powerful network system with a diverse range of interfaces including USB 2.0x2, LAN, RS-232C and Cash drawer.

High resolution multimedia customer display

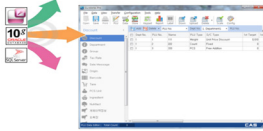
Customers can clearly check the values and product information. Vendors can also use the screen to display a diverse range of multimedia including promotional videos and product images.



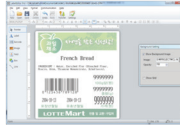
CL7200 SERIES

Data management through network and PC Software

CL-Works Pro is capable of lumped data transmission and data editing along with multimedia management.



Easy transmission of all the data



View images in advance

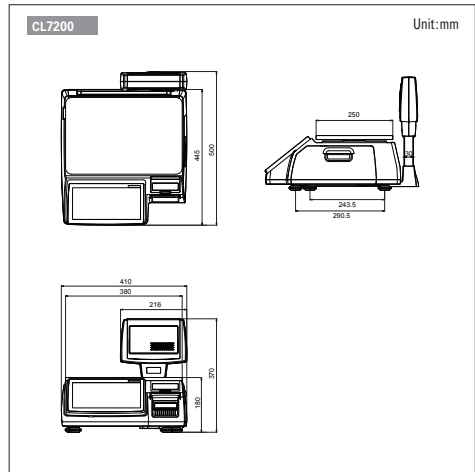


Image editing function

SPECIFICATIONS

Model	CL7200	
Max. capacity (kg)	6/15	15/30
Readability (g)	2/5	5/10
Resolution	1/3,000(Dual interval)	
Operating system (OS)	Linux	
Display type	Staff	10.2" Color TFT-LCD (resistant membrane touch panel)
	Consumer	7" Color TFT-LCD
Printer speed	Max. 100mm/sec	
Printer resolution	202dpi	
Label size (mm)	Width: 40 ~ 60, length: 30 ~ 200	
Power	AC 100-240 V, 50/60Hz	
Operation temperature	-10°C ~ 40°C	
Platter size(mm)	380(W) x 250(H)	
Dimensions(mm)	410(W) x 500(H) x 370(D)	
Product weight (kg)	8.3	

DIMENSIONS



FEATURES

- 140,000+ PLU capacity: program upto 99 categories with 20 pages per category and 72 direct PLUs per page
- Built-in thermal printer: label or receipt
- CL-Works Pro PC software
- Multiple interfaces: USB, LAN, RS232C and Cash Drawer



UNIT 8, NORTHLINK, 459 TUFNELL ROAD
BANYO QLD 4014, AUSTRALIA

TEL: +61 (0)7 3267 7767 FAX: +61 (0)7 3267 1818

EMAIL: sales@cassscale.com.au WEB: www.cassscale.com.au

Specifications are subject to change for improvement without prior notice.



CAS