

Ludovica + Roberto Palomba

Dizzy Chaise Longue

2019

FINISHES

Upholstery Finish

- Available in:
- Faux Leather
 - Leather
 - Fabrics

Faux Leather are available in:

- Nuance Collection
- Valencia Collection

Leather are available in:

- Nuance Collection
- Elmo Soft Collection

Fabrics are available in:

- Nuance Collection

Structure Finish - Aluminium



Black Painted
RAL 7021



Bronze Painted
Aluminium



Gold Stained
Aluminium

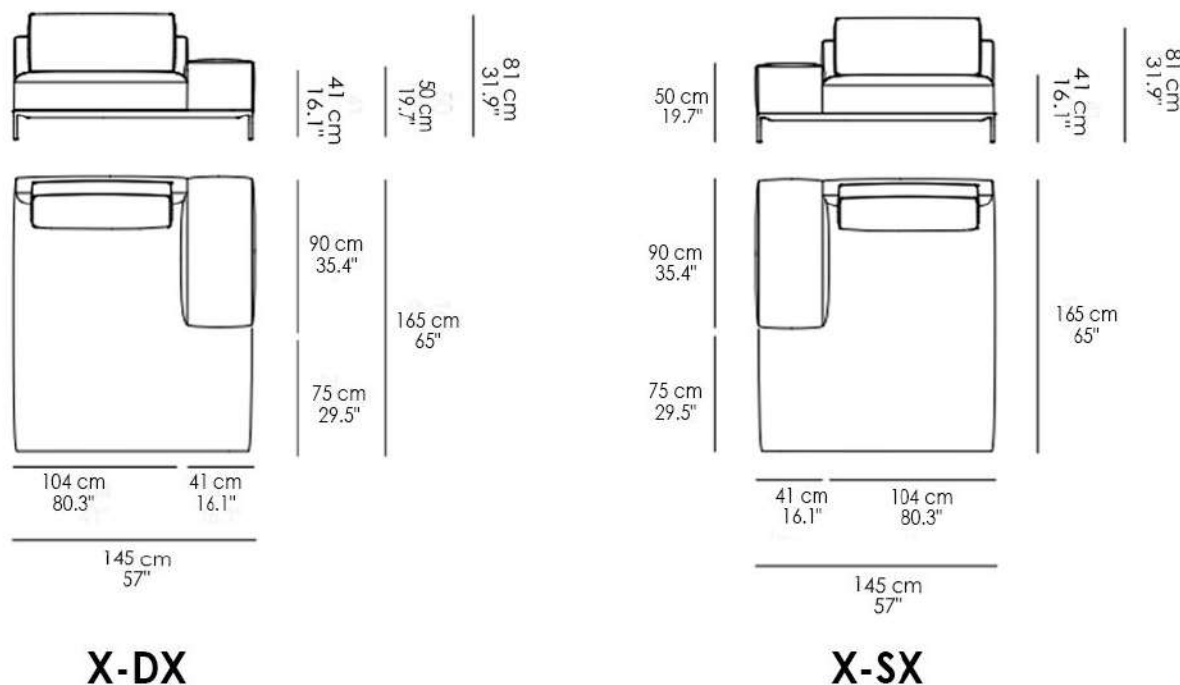


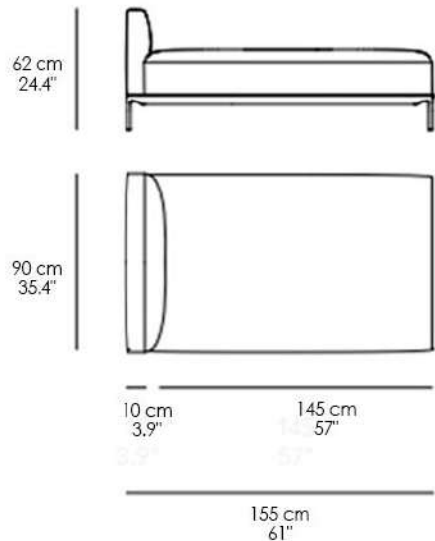
Polished
Aluminium

MATERIALS

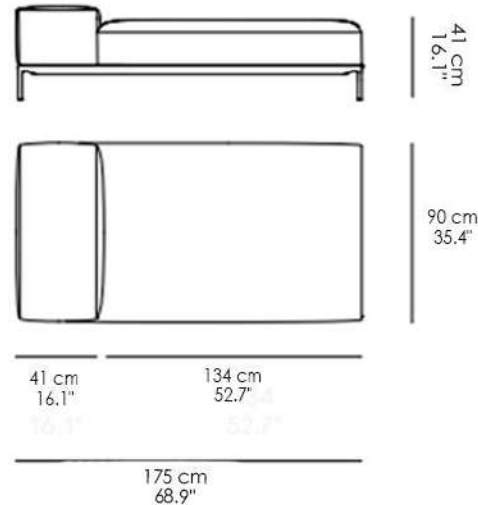
- Fabric
- Leather
- Metal

The aluminum frame (Horm patent), light and ecological, on which all the padded elements are inserted, is the distinctive feature and the common denominator of the collection, expression of the high tailoring craftsmanship of Made in Italy.

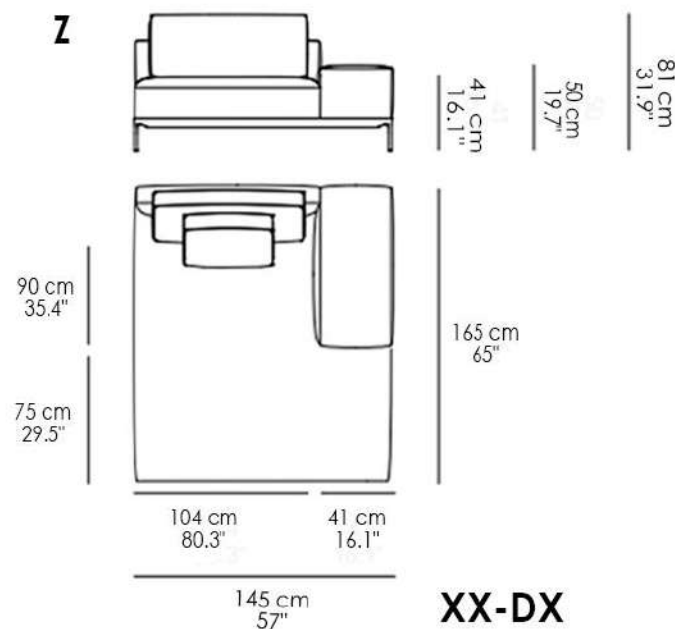




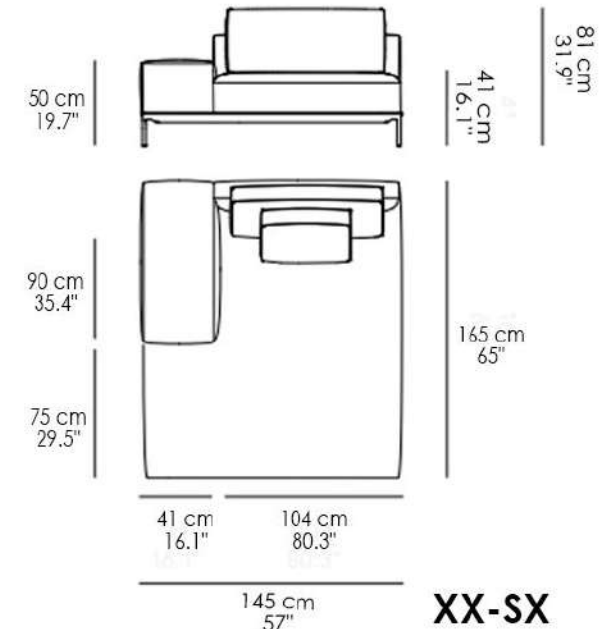
Y



Z



XX-DX



XX-SX