

BIG DOOM ROUND DINING TABLE

Design Giorgio Balestri And Andrea Pinori

FINISHES

Structure Finish - Wood



American Walnut



American Walnut Mayfair



Ash Cenere



Ash Moka



Ebano Matte



Ebano Glossy



American Walnut Glossy



Ash Whitened



American Walnut Myfair Glossy



American Walnut Tabacco Glossy



American Walnut Tabacco

Top Finish - Marble, Leather, Wood



Quarzite Michelangelo



Ombra Di Caravaggio



Invisible Grey



Cappuccino Onyx



Sahara Noir



Calcite



Calacatta Verde



Twister

Leather Category

- Cat.Premium Cuoio
- Cat.Premium Prestige
- Cat.Top Kashmir
- Cat.Top Nabuk
- Cat.Superior Grasse
- Cat.Superior Plume
- Cat.Extra Luxury Tuscany

Materials

- Marble
- Wood
- Leather

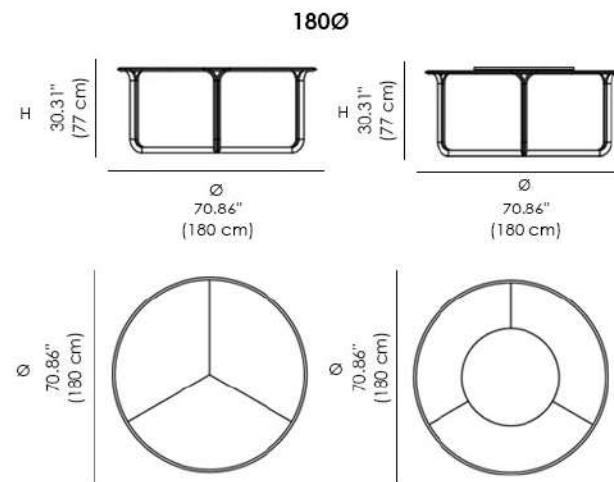
Big Doom Round Dining Table -

Structure: Solid walnut.

Top: Top and top edge veneered in American walnut or marble in different color of Ulivi Salotti range.

*** This item can be customized upon request**

Available Dimensions: L x D x H



1500

