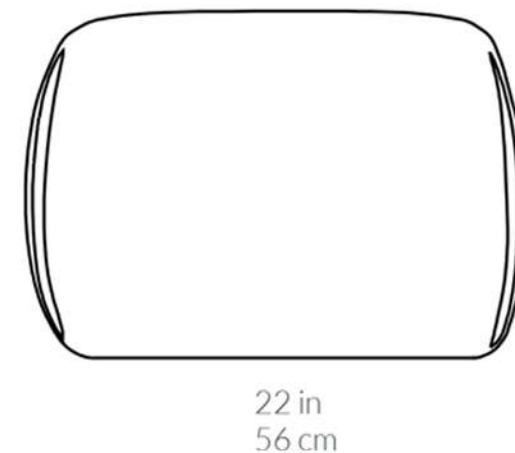
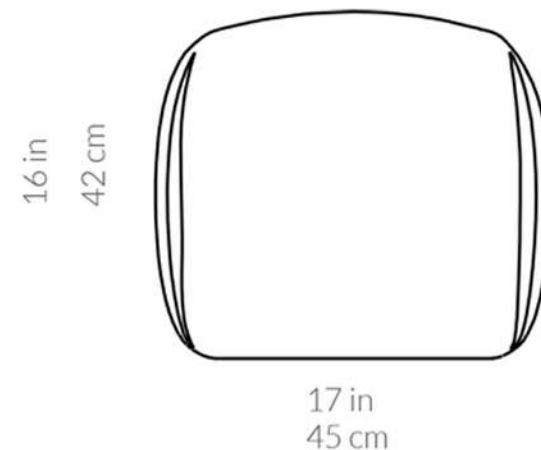


FINISHES:

Fabric



MATERIALS:

-100% Cotton Fabric