

Comò Alto Sideboard on Casters

design Marco Gaudenzi 1994

FINISHES

Glass



Clear Glass



Extraclear Glass

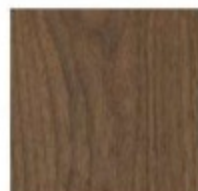
Optional Drawer



Wood Wenge



Wood Bleached



Wood Canaletto
Walnut



Leather Natural

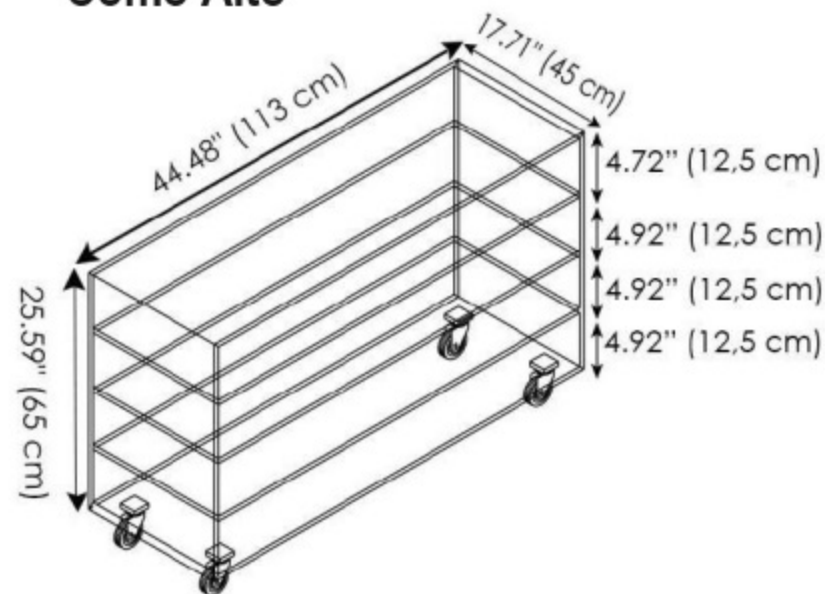


Leather Black



Lacquered Wood
Matte Ral Color

Comò Alto



MATERIALS

- Glass
- Wood
- Lacquered Wood
- Leather

THICKNESS

- 0.39/0.47/0.59" (10/12/15 mm)