

## Transistor Shelves

design Barberini & Gunnell 2012

### FINISHES

Base Finish



Clear Glass



Extraclear Glass

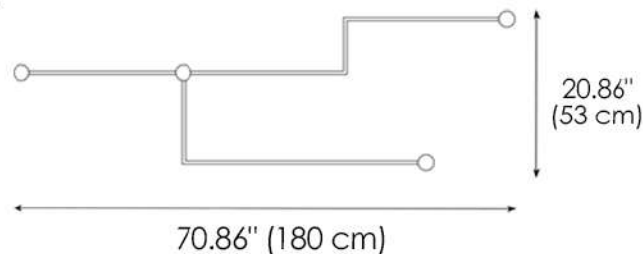
### MATERIALS

- Glass
- Metal

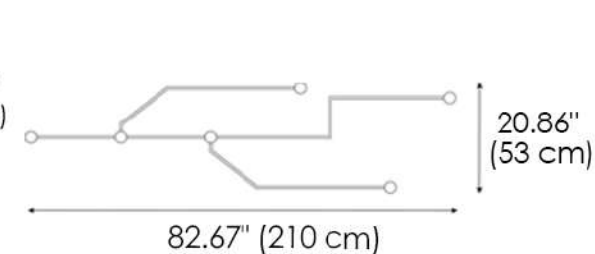
### GLASS THICKNESS

- 0.47" (12 mm)

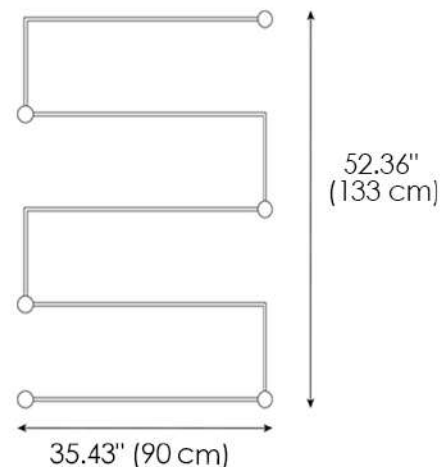
#### Transistor Shelf Composition 1



#### Transistor Shelf Composition 2



#### Transistor Shelf Composition 3



#### Transistor Shelf Composition 4

