

Tavolante Aged Oak Dining Table

design Marco Gaudenzi 2009/2016

FINISHES

Top Finish



Aged Oak

Base Finish



Clear Glass



Extraclear Glass

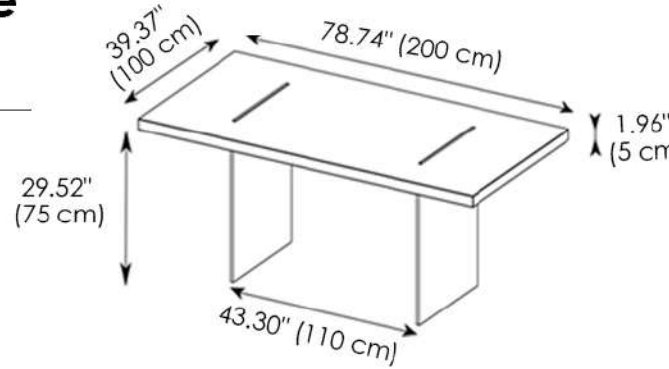
MATERIALS

- Glass
- Wood

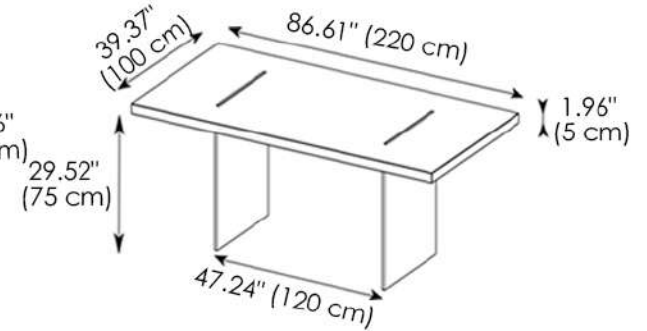
THICKNESS

- 0.59/1.97" (15/50 mm)

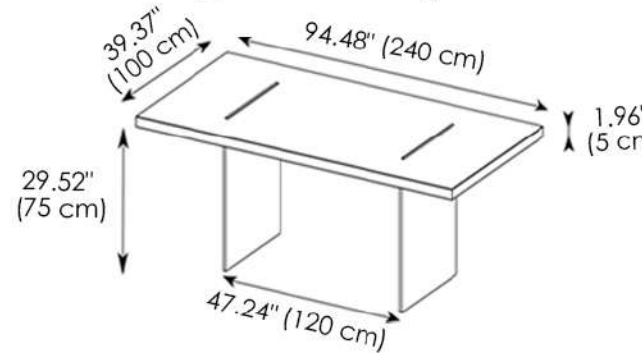
Tavolante Aged Oak Dining Table 200



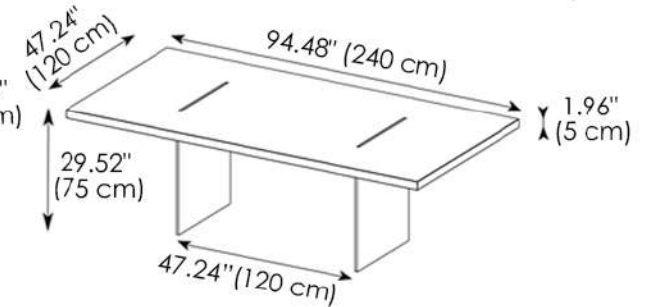
Tavolante Aged Oak Dining Table 220



Tavolante Aged Oak Dining Table 240



Tavolante Aged Oak Dining Table 240 Wide



Tavolante Aged Oak Dining Table 260

