

Stati D'Animo Mirrors

design Garattoni - De Angelis 2002

FINISHES

Mirror Finish



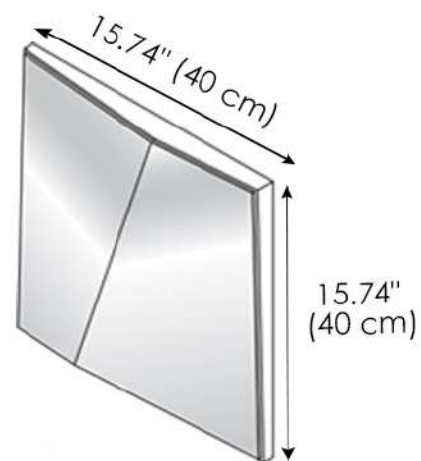
Standard Mirror



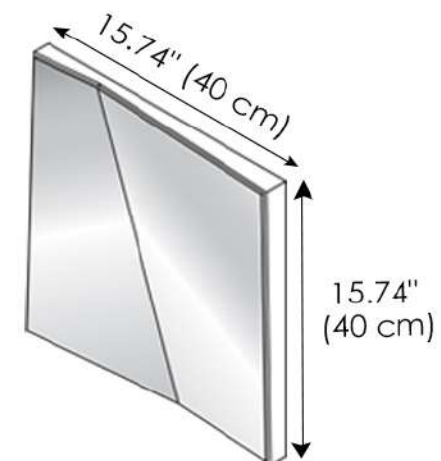
Smoked Mirror



Bronze Mirror



Convex Mirror



Concave Mirror

MATERIALS

- Mirror

THICKNESS

- 0.15" (4 mm)