

## Shoji Wardrobe With Shelves & Hanging Rail

design Isao Hosoe Design &  
Lorenzo De Bartolomeis 2019

### FINISHES

#### Structure Finish



Extraclear Glass



Smoked Glass

#### MATERIALS

- Glass
- Mirror
- Wood
- Lacquered Wood
- Ceramic

#### Door Finish



Standard Mirror



Smoked Mirror



Bronze Mirror



Wood Siberian Ash



Wood Eucalpto

#### Optional Door/Top/Back Ceramic Finish



Pietra di Savoia Anthracite Matte



Arabesque Calacatta Polished



Grey Stone Matte/Polished



Noir Desir Matte / Polished



Emperador Matte / Polished



Sahara Noir Matte / Polished

#### Optional Chest Of Drawers Finish



Canaletto Walnut



Wood Siberian Ash



Wood Eucalpto

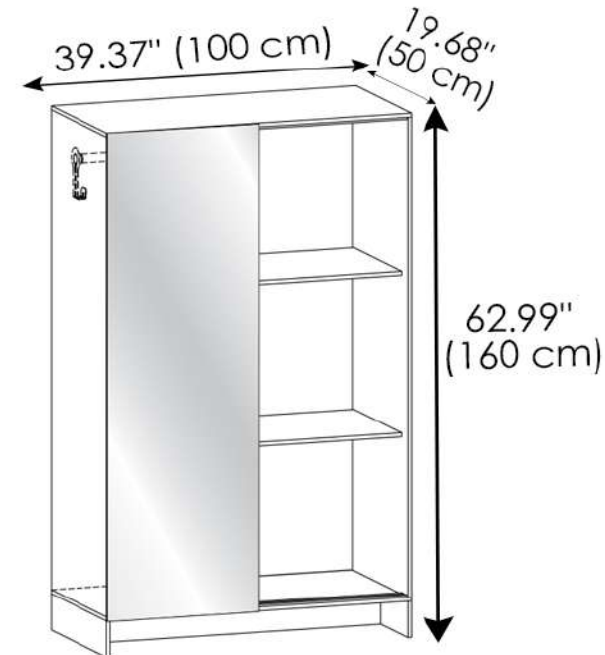


Matte White Lacquered Wood



Matte RAL Lacquered Wood

Glass THICKNESS  
- 0.39/0.47" (10/12 mm)



#### Optional Chest Of Drawers

