

Shoji Three Compartment Sideboard

design Isao Hosoe Design & Lorenzo De Bartolomeis 2018

FINISHES

Structure Finish



Smoked Glass

Door Finish



Smoked Mirror



Bronze Mirror

MATERIALS

- Glass
- Mirror
- Wood
- Lacquered Wood
- Ceramic

Glass THICKNESS

- 0.39/0.47" (10/12 mm)

Optional Door/Top/Back Ceramic Finish



Pietra di Savoia
Anthracite Matte



Arabesque
Calacatta Polished



Grey Stone
Matte/ Polished



Noir Desir Matte
/ Polished



Emperador Matte
/ Polished



Sahara Noir Matte
/ Polished

Optional Chest Of Drawers Finish



Canaletto Walnut



Wood
Siberian Ash



Wood Eucalipto

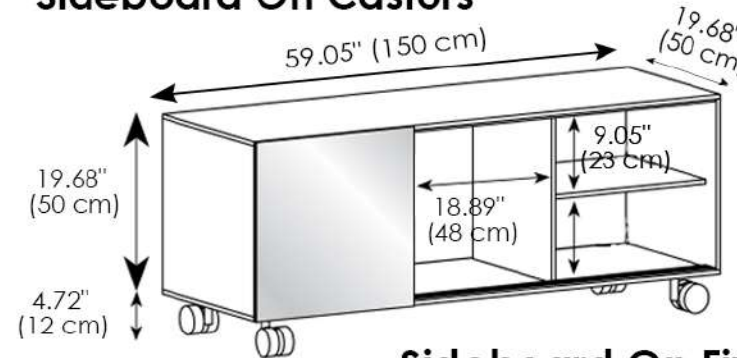


Matte White
Lacquered Wood

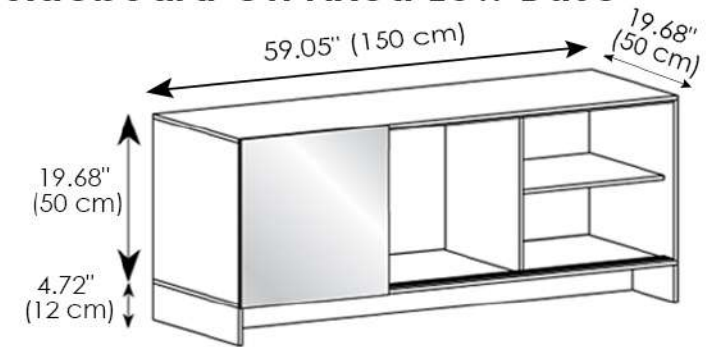


Matte RAL
Lacquered Wood

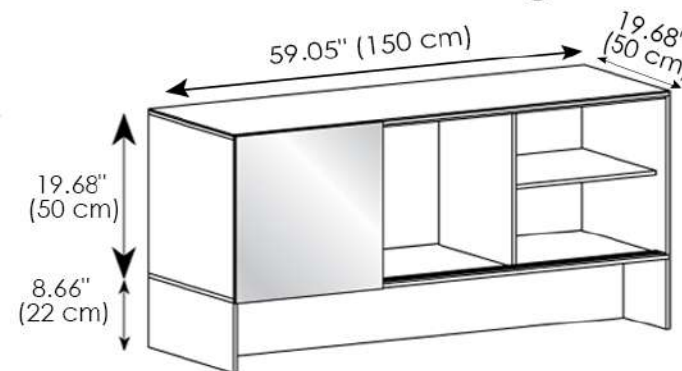
Sideboard On Castors



Sideboard On Fixed Low Base



Sideboard On Fixed High Base



Optional Chest Of Drawers

