

## Shoji Four Compartment Sideboard

design Isao Hosoe Design & Lorenzo De Bartolomeis 2018

### FINISHES

#### Structure Finish



Smoked Glass

#### Door Finish



Smoked Mirror



Bronze Mirror

### MATERIALS

- Glass
- Mirror
- Wood
- Lacquered Wood
- Ceramic

### Glass THICKNESS

- 0.39/0.47" (10/12 mm)

### Optional Door/Top/Back Ceramic Finish



Pietra di Savoia  
Anthracite Matte



Arabesque  
Calacatta Polished



Grey Stone  
Matte/Polished



Noir Desir Matte  
/ Polished



Emperador Matte  
/ Polished



Sahara Noir Matte  
/ Polished

### Optional Chest Of Drawers Finish



Canaletto Walnut



Wood  
Siberian Ash



Wood Eucalipto

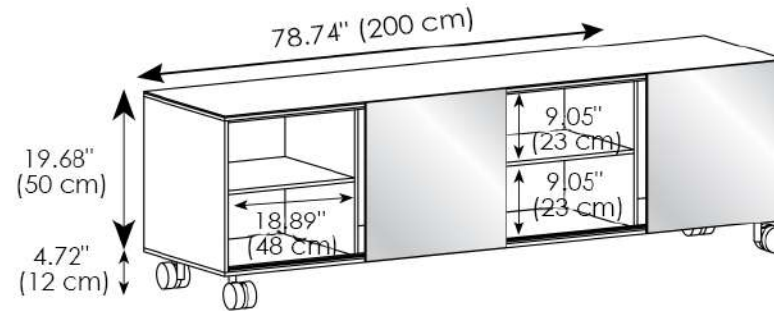


Matte White  
Lacquered Wood

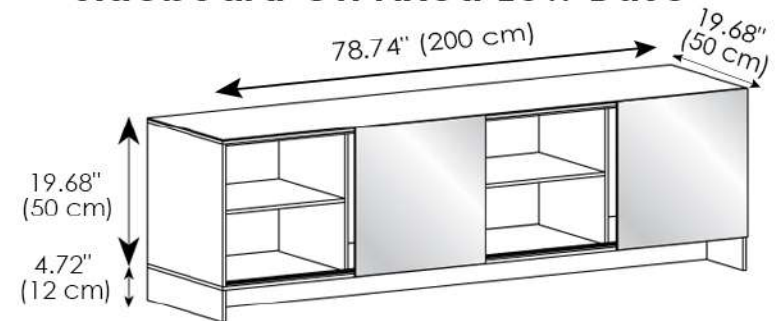


Matte RAL  
Lacquered Wood

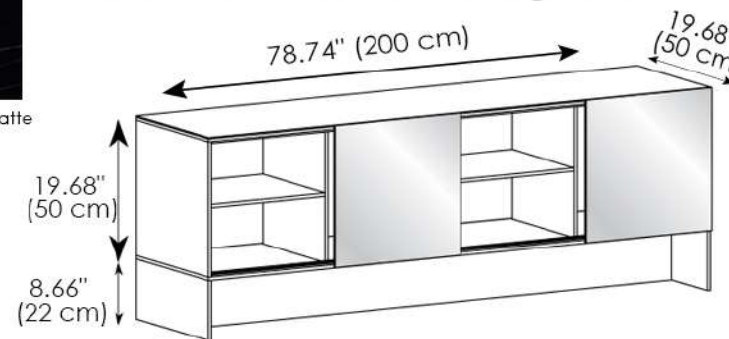
### Sideboard On Castors



### Sideboard On Fixed Low Base



### Sideboard On Fixed High Base



### Optional Chest Of Drawers

