

## Shoji Display Cabinet

design Isao Hosoe Design & Lorenzo De Bartolomeis 2019

### FINISHES

#### Structure Finish



Extraclear Glass



Smoked Glass

#### MATERIALS

- Glass
- Mirror
- Wood
- Lacquered Wood
- Ceramic

#### Door Finish



Standard Mirror



Smoked Mirror



Bronze Mirror



Wood  
Siberian Ash



Wood Eucalpto

#### Optional Door/Top/Back Ceramic Finish



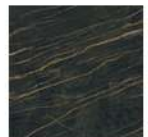
Pietra di Savoia  
Anthracite Matte



Arabesque  
Calacatta Polished



Grey Stone  
Matte/ Polished



Noir Desir Matte  
/ Polished



Emperador Matte  
/ Polished



Sahara Noir Matte  
/ Polished

#### Optional Chest Of Drawers Finish



Canaletto Walnut



Wood  
Siberian Ash



Wood Eucalpto



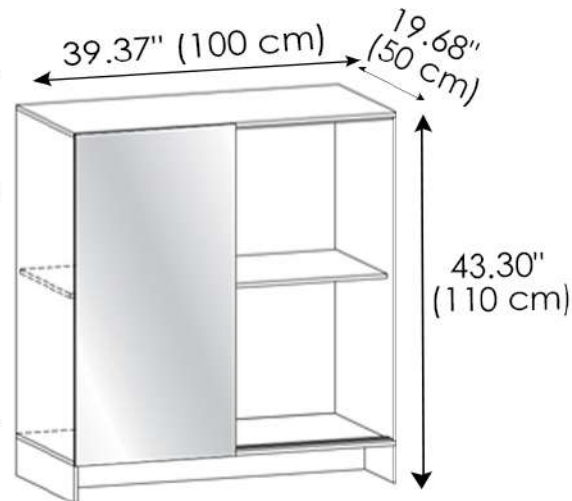
Matte White  
Lacquered Wood



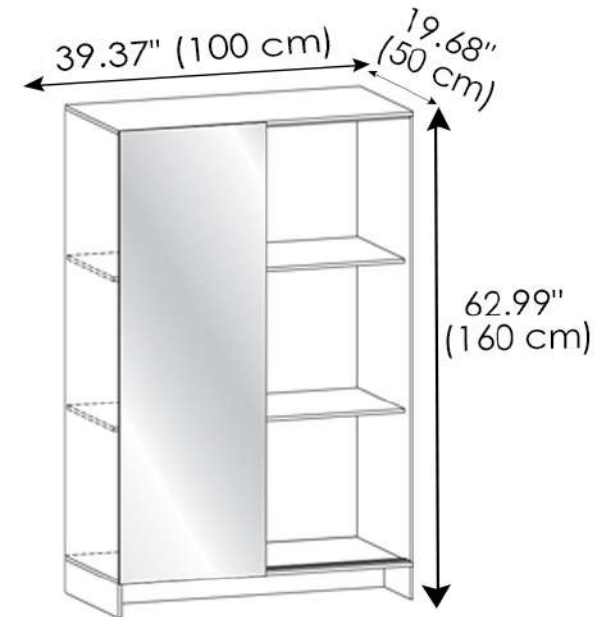
Matte RAL  
Lacquered Wood

Glass THICKNESS  
- 0.39/0.47" (10/12 mm)

### Shoji Cabinet Low



### Shoji Cabinet Tall



### Optional Chest Of Drawers

