

Scenario TV Unit

design Isao Hosoe 1989

FINISHES

Glass Finish



Clear Glass

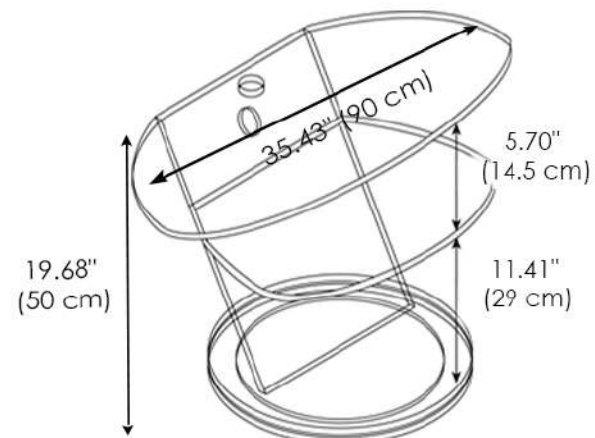
MATERIALS

- Glass

Glass THICKNESS

- 0.59" (15 mm)

Scenario TV Unit 90



Scenario TV Unit 120

