

Psiche Sideboard

design G.T. Garattoni 2008/2019

FINISHES

Cover Finish



Mirrored Glass



White Lacquered Glass



Smoked Glass Mirror



Bronze Glass Mirror

Frame Finish



Matte White Lacquered Wood



Matte Black Lacquered Wood

MATERIALS

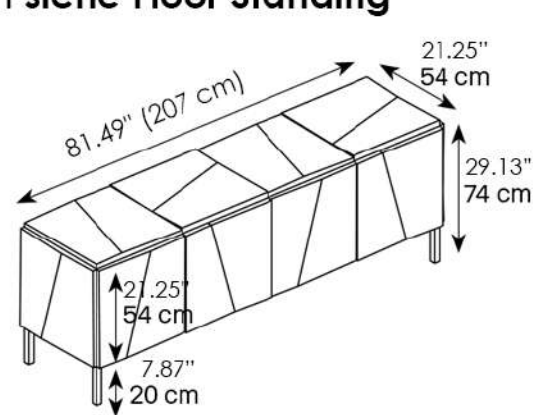
- Glass
- Mirror
- Lacquered Wood

Optional 2 Glass Shelves

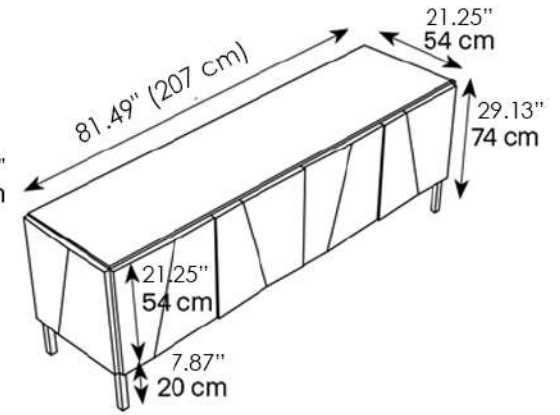
THICKNESS

- 0.15" (4 mm)

Psiche Floor Standing

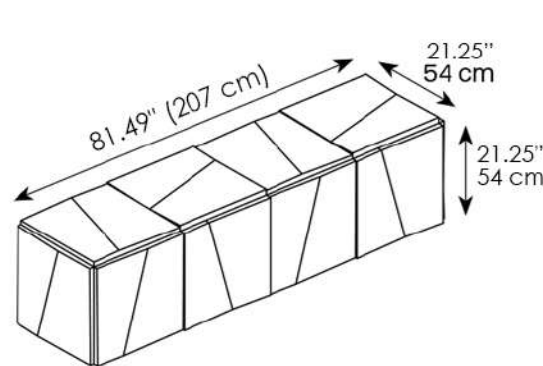


Standard Top

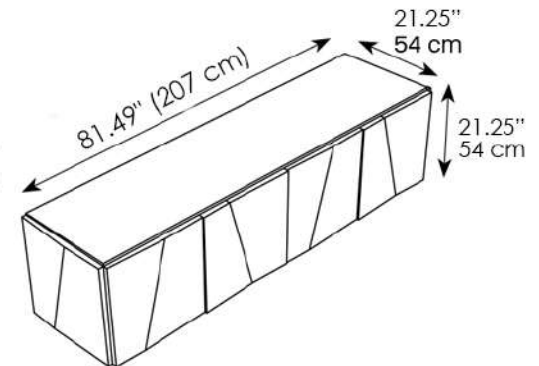


Straight Top

Psiche Wall Mounted



Standard Top



Straight Top