

## Plinsky Coctail Coffee Table

design Giulio Mancini 2007/2019

### FINISHES

#### Top Finish



Clear Glass

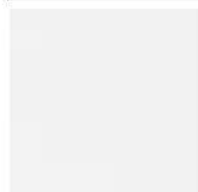


Extraclear Glass



Smoked Glass

#### Base Finish



Lacquered Metal  
Matte White



Lacquered Metal  
Matte White



Metal Chrome



Gunmetal

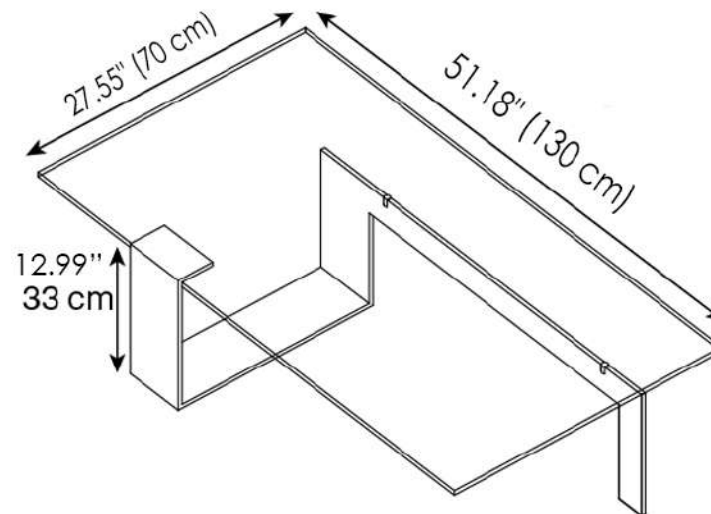
### MATERIALS

- Glass
- Metal
- Lacquered Metal
- Gunmetal

### GLASS THICKNESS

- 0.47" (12 mm)

## Plinsky Coctail Coffee Table 130



## Plinsky Coctail Coffee Table 150

