

Opalina Console / Desk

design Cristina Celestino 2016

FINISHES

Top & Shelf Finish



Extraclear Glass



Extraclear
Frosted Glass



Opal Green
Ral 6019

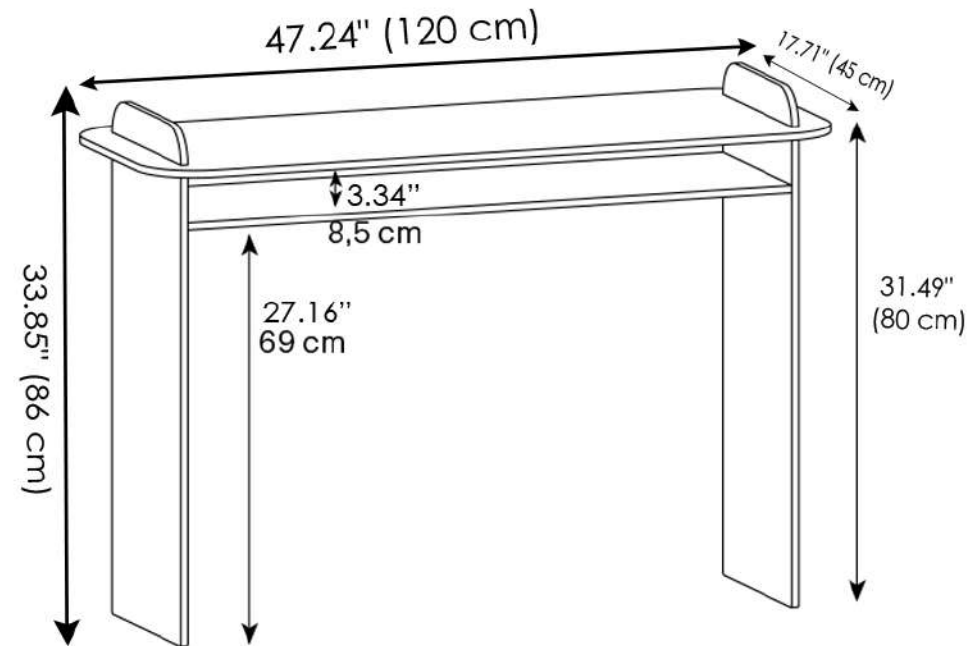
Side Finish



Extraclear Glass



Extraclear
Frosted Glass



MATERIALS

- Glass

Glass FINISH THICKNESS

- 0.47" (12 mm)