

Metropolis Side Table

design G. Maurizio Scutellà 2017

FINISHES

Top & Base Glass Finish



Extraclear Glass



Smoked Glass

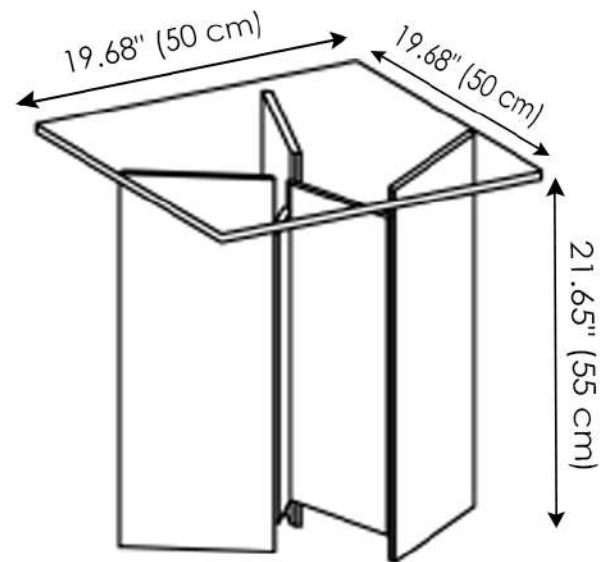
MATERIALS

- Glass

Glass FINISH THICKNESS

- 0.47" (12 mm)

Metropolis Square Side Table



Metropolis Round Side Table

