

Metropolis Coffee Table

design G. Maurizio Scutellà 2017

FINISHES

Top & Base Glass Finish



Extraclear Glass



Smoked Glass

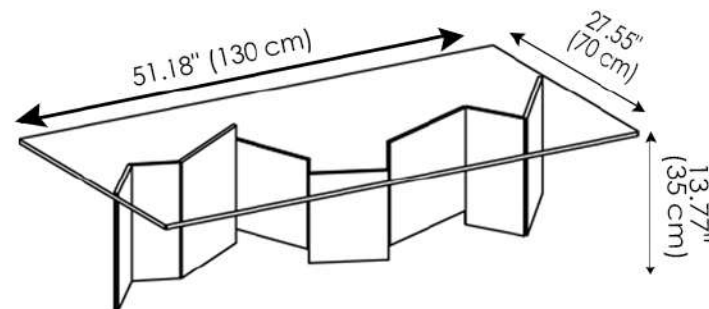
MATERIALS

- Glass

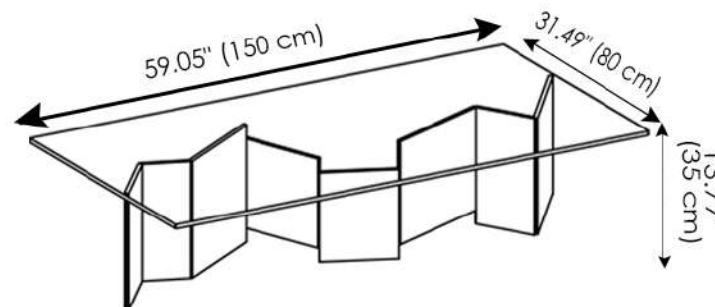
Glass FINISH THICKNESS

- 0.47" (12 mm)

Metropolis Rectangular Coffee Table 130



Metropolis Rectangular Coffee Table 150



Metropolis Round Coffee Table 90

