

## Metropolis Ceramic Top Side Table

design G. Maurizio Scutellà 2017

### FINISHES

#### Base Glass Finish



Extraclear Glass    Smoked Glass

### MATERIALS

- Glass
- Ceramic

### Glass FINISH THICKNESS

- 0.47/0.51" (12 / 13 mm)

#### Ceramic Top Finish

##### Matte Ceramic Finish



Noir Desir  
Matte

Emperador  
Matte

Grey Stone  
Matte

Sahara Noir  
Matte

##### Polished Ceramic Finish



Noir Desir  
Polished

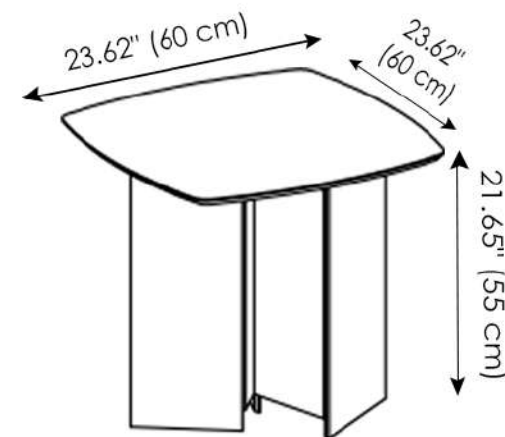
Emperador  
Polished

Calacatta Oro  
Venato Polished

Grey Stone  
Polished

Sahara Noir  
Polished

### Metropolis Ceramic Top Side Table



### Metropolis Ceramic Top Round Side Table

