

Kat Cocktail Table

design Karim Rashid 2008

FINISHES

Glass



Clear Glass



Smoked Glass



Frosted Glass

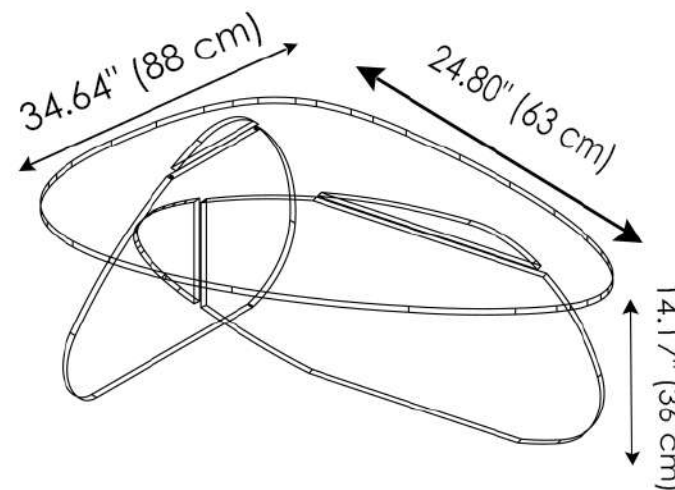
MATERIALS

- Glass

GLASS THICKNESS

- 0.47" (12 mm)

Kat Cocktail Table 88



Kat Cocktail Table 131

