

Joliet Side Table

design Giulio Mancini 2011 / 2019

FINISHES

Glass



Clear Glass



Extraclear Glass



Smoked Glass

Structure Finish

Lacquered Metal



Matte Black



Matte White



Chrome

Gunmetal



Gunmetal

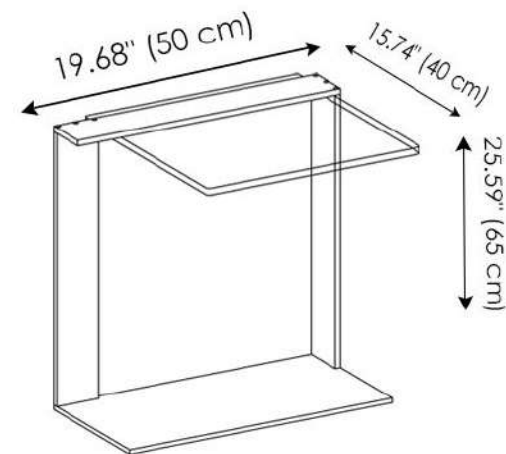
MATERIALS

- Glass
- Chrome
- Lacquered Metal
- Gunmetal

GLASS THICKNESS

- 0.47" (12 mm)

Joliet Small Table 50



Joliet Small Table 65

