

Farniente Round Bistro/Small Dining Table

design G.T. Garattoni 2005/2019

FINISHES

Glass



Clear Glass

Extraclear Glass

Smoked Glass

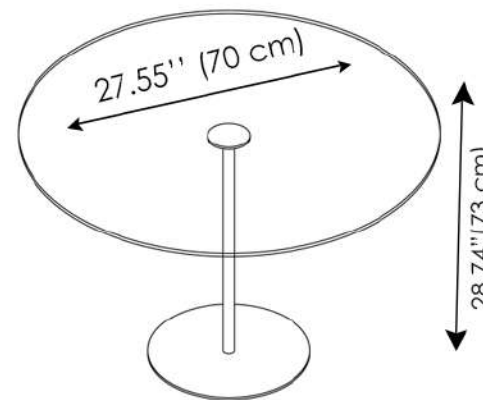
MATERIALS

- Glass
- Chrome or Gunmetal Base

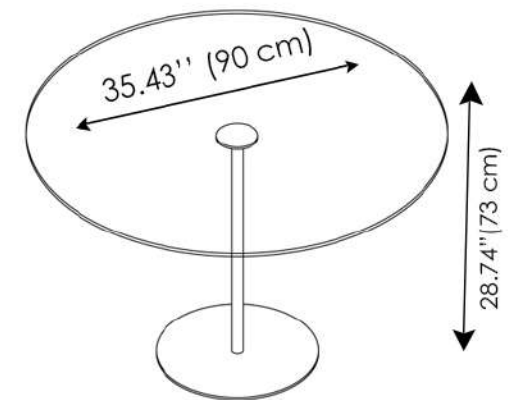
GLASS THICKNESS

- 0.47" (12 mm)

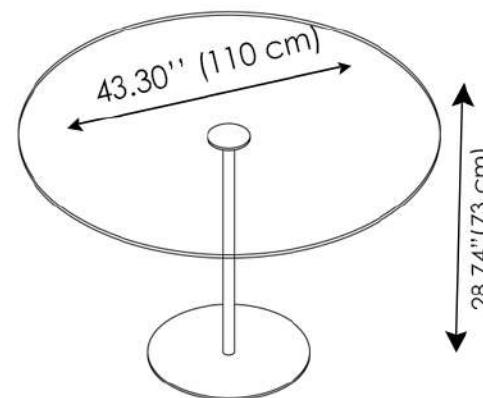
Farniente Round Table 70



Farniente Round Table 90



Farniente Round Table 110



Farniente Round Table 120

