

Farniente Rectangular Cocktail Table

design G.T. Garattoni 2005/2024

FINISHES

Glass Top



Clear
Glass



Extraclear
Glass



Smoked
Glass



Bronze
Glass

Metal Base



Polished
Chrome



Gunmetal

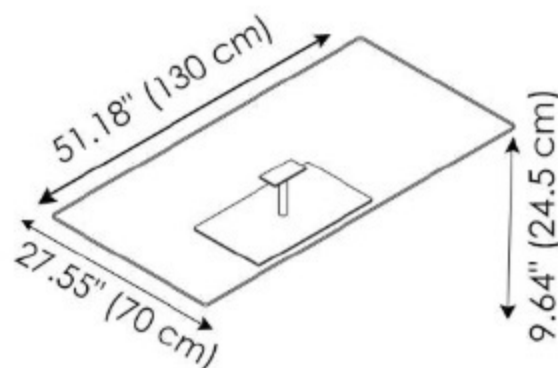


Champagne

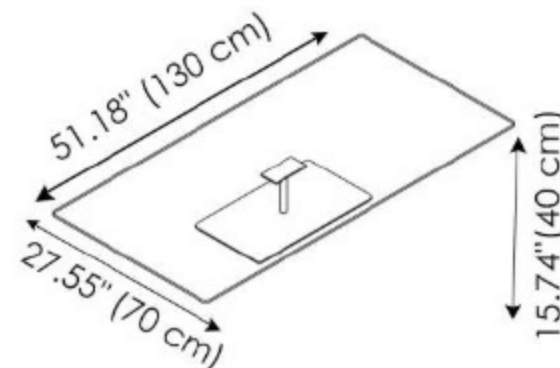
MATERIALS

- Glass th. 0.47" (12 mm)
- Metal

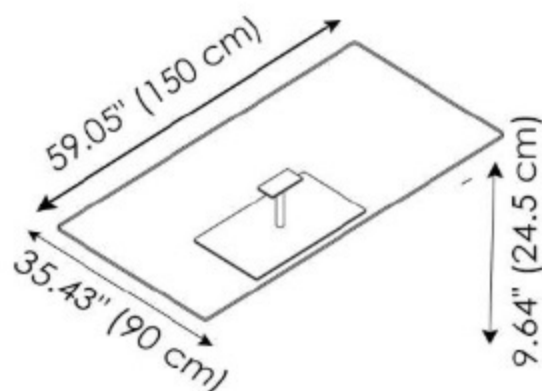
**Farniente Low Height
Rectangular Table 130**



**Farniente Medium Height
Rectangular Table 130**



**Farniente Low Height
Rectangular Table 150**



**Farniente Medium Height
Rectangular Table 150**

