

Dazibao Bookcase

design Gonzo & Vicari

FINISHES

Glass Finish



Clear Glass



Extraclear Glass

Panel Finish



Wood Canaletto
Walnut



Lacquered
Wood White



Lacquered
Wood Black

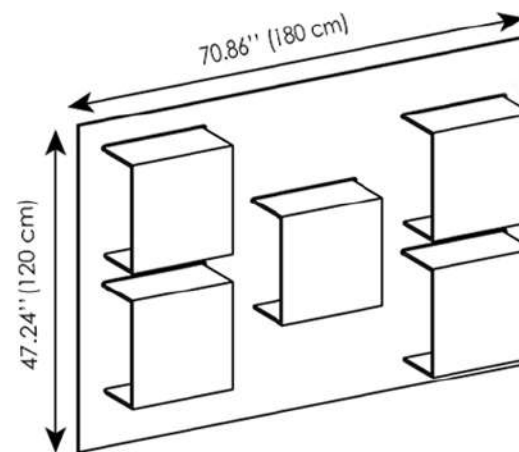
MATERIALS

- Glass
- Mirror
- Wood

GLASS THICKNESS

- 0.47" (12 mm)

Dazibao Horizontal



Dazibao Vertical

