

Comò Basso Coffee Table On Wheels

design Marco Gaudenzi 1994

FINISHES

Glass



Clear Glass



Extraclear
Glass

Optional Drawer



Wood Wenge



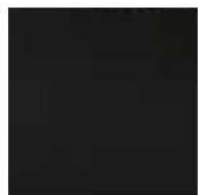
Wood Bleached



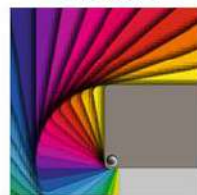
Wood Canaletto
Walnut



Leather Natural

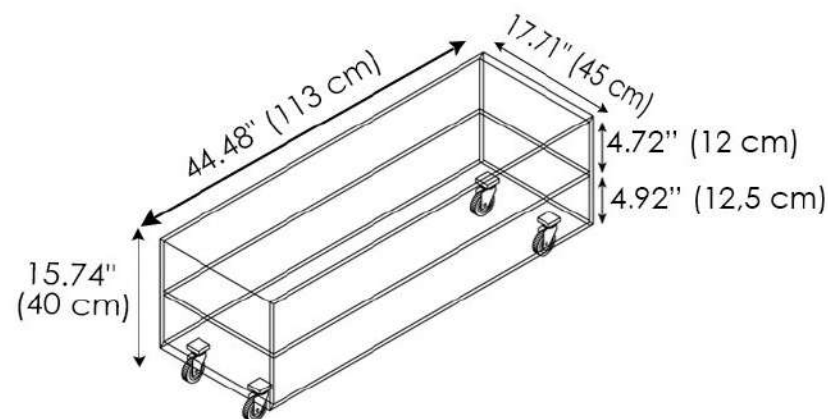


Leather Black



Lacquered Wood
Matte Ral Color

Como Basso



MATERIALS

- Glass
- Wood
- Lacquered Wood
- Leather

THICKNESS

- 0.39/0.47/0.59" (10/12/15 mm)