

Comò Alto/Comò basso
TV Unit On Casters

design Marco Gaudenzi 1994

FINISHES

Glass



Clear Glass



Extraclear
Glass

Optional Drawer



Wood Wenge



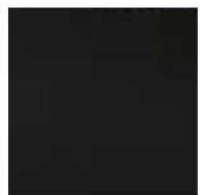
Wood Bleached



Wood Canaletto
Walnut



Leather Natural

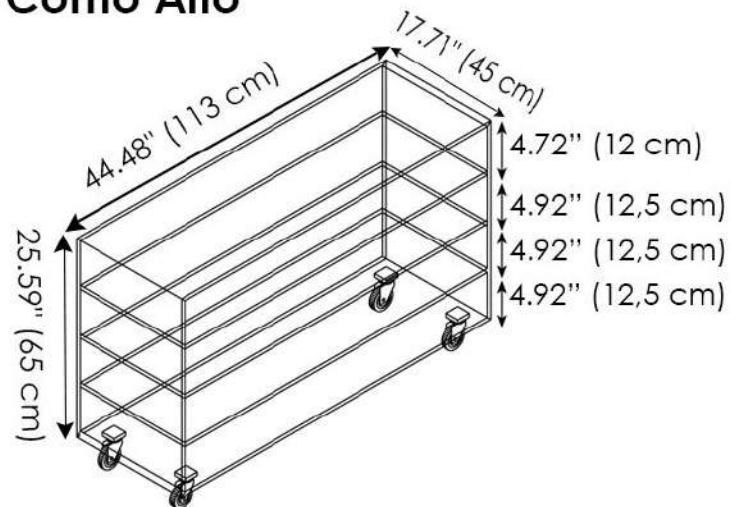


Leather Black

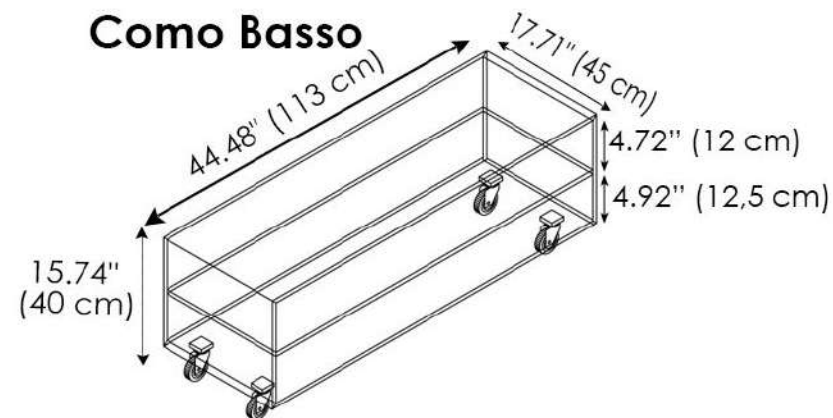


Lacquered Wood
Matte Ral Color

Como Alto



Como Basso



MATERIALS

- Glass
- Wood
- Lacquered Wood
- Leather

THICKNESS

- 0.39/0.47/0.59" (10/12/15 mm)