

## Bakkarat Side Table

design D'Urbino e Lomazzi 2014

### FINISHES

Base in Metal and Mirror

Glass Finish



Extraclear Glass  
Metal Finish



Chrome Metal  
Mirror Finish



Extraclear Glass

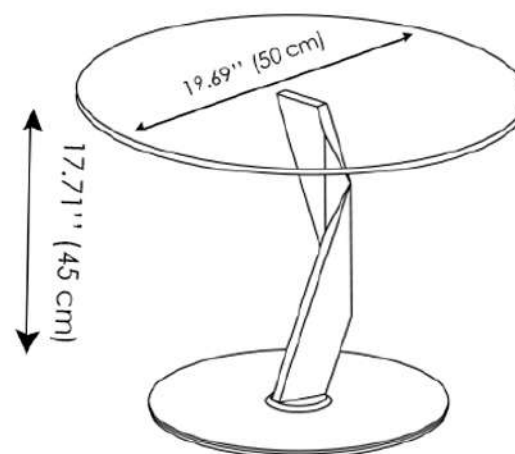
### MATERIALS

- Glass
- Metal

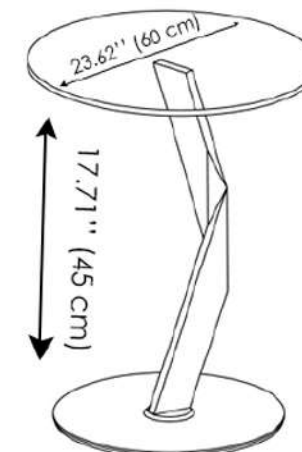
### THICKNESS

- 0.39" / 0.781" (10/20 mm)

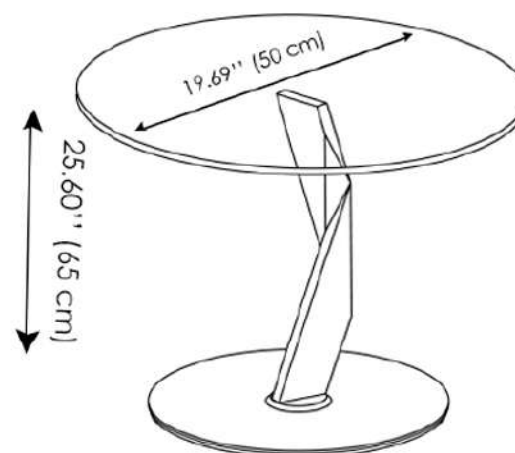
**Bakkarat Side 45 A**



**Bakkarat Side 45 B**



**Bakkarat Side 65 A**



**Bakkarat Side 65 B**

