

Amon Floor Vases / Planters

design Roberto Garbugli 2008

FINISHES

Side Panels Glass



Mirrored Glass



White Lacquered Glass



Black Lacquered Glass

Side Panels Mirror



Mirrored Mirror



Smoked TNLDSN



Bronze TNLDSN

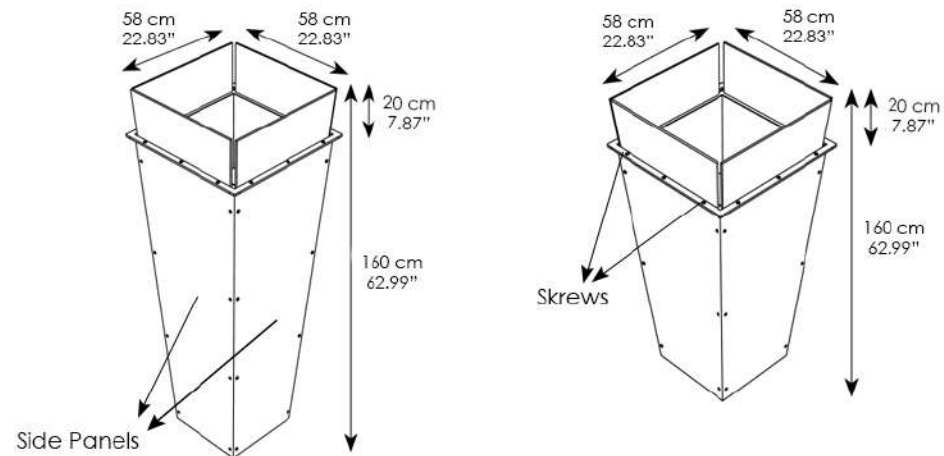
Raised Panels



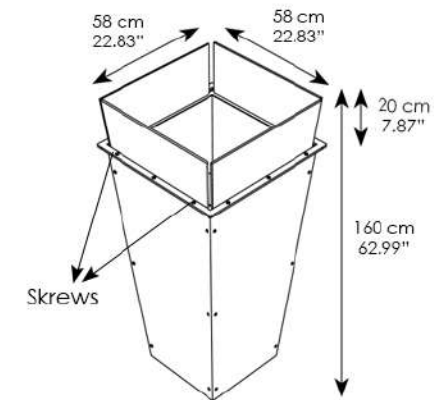
Clear Glass

MATERIALS

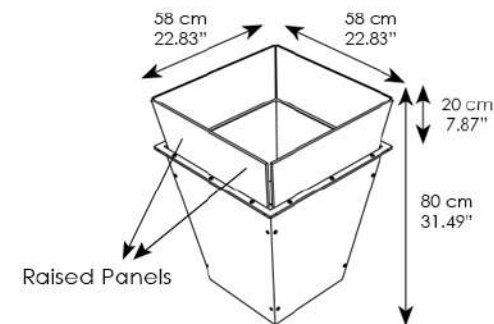
- Glass
- Mirror
- Brass (Skrew)
- Stainless Steel (Skrew)



Amon 1



Amon 2



Amon 3