

FINISHES

Structure Finish

Metal



Bronzo Cromo Titanium Ottone Anticato Champagne

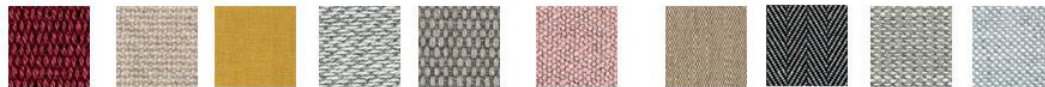
Matte Lacquered



Avio Bianco Bosco Cashmere Cenere Cipria Ecu Espresso Fango Lavagna Malva
Mattone Miele Mirto Nebbia Nero Oceano Onice Piombo Roccia Seta Tabasco

Upholstery Finish

Fabric



Aquarius Aries Brenda Brera Draco Fenice Hermes Jazz Kos Lima



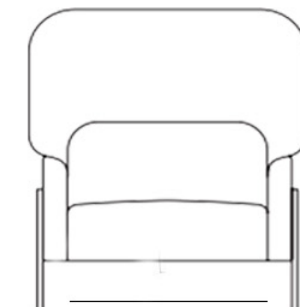
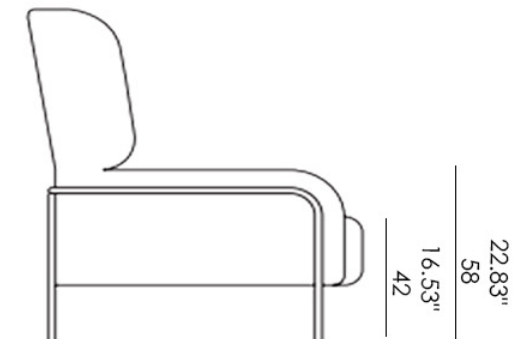
Mimosa Pasca Rella Riccio Rico Supersuede Taigal Velvet Yucca

Leather



Doge Lord Nabuk Polo

Inviting, elegant and bold: Platea is a modern interpretation of the traditional bergère. Emilio Nanni harmoniously balances its parts by putting the emphasis on the height and width of the backrest while keeping its thickness moderate. The design creates a solid, formal impact through a synthesis that develops the dynamic relationship between straight and curved lines.



26.77"
68

Materials

- Metal
- Fabric
- Leather

Green Collection



Acacia Bellis Dalia Erica Malva Narciso Zea