

PIANCA

FINISHES

Structure Finish

Metal



Bronzo Cromo Titanium Ottone Anticato Champagne

Matte Lacquered



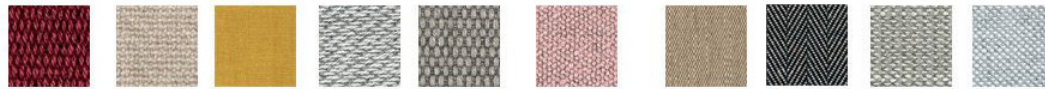
Avio Bianco Bosco Cashmere Cenere Cipria Ecu Espresso Fango Lavagna Malva



Mattone Miele Mirto Nebbia Nero Oceano Onice Piombo Roccia Seta Tabasco

Upholstery Finish

Fabric



Aquarius Aries Brenda Brera Draco Fenice Hermes Jazz Kos Lima



Mimosa Pasca Rella Riccio Rico Supersuede Taigal Velvet Yucca

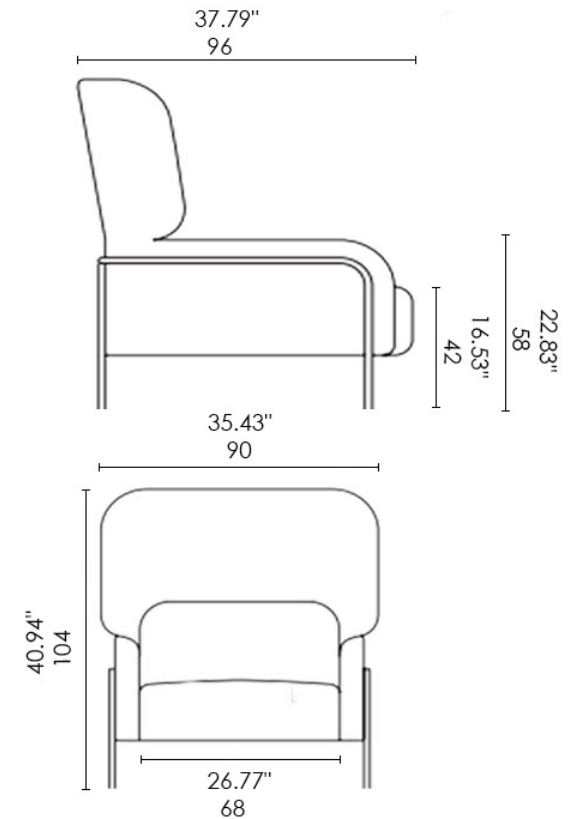
Leather



Doge Lord Nabuk Polo Acacia Bellis Dalia Erica Malva Narciso Zea

Green Collection

Winner of the 2021 German Design Award, Platea is inviting, elegant and bold; a modern interpretation of the traditional bergère. The design creates a solid, formal impact through a dynamic relationship between straight and curved lines.



Materials

- Metal
- Fabric
- Leather