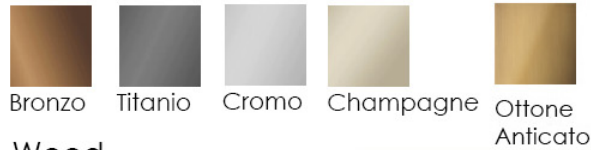


FINISHES

Base Finish

Metal



Wood



Matte Lacquer



Seat Finish

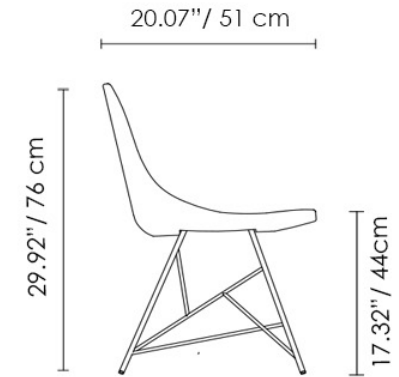
Matte Lacquer



The broken lines and the vivid colors enrich the differences between the bases, which are light and steady. The signature feature is its seat: the shape, reminiscent of the cross-section of an egg, is designed to be comfortable and cocooning, in both the rigid lacquered version and the padded version



Model 01181
Chair With Pylon Base



MATERIALS
- Polyurethane
- Wood
- Metal

Model 01180
Chair With Wooden Slanted Legs

