

FINISHES

Leg Finish Metal



Matte Lacquer



Top Finish Wood



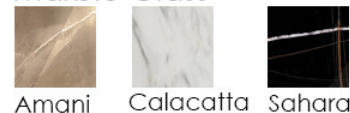
Matte Lacquer



Terrazzo



Marble Glass



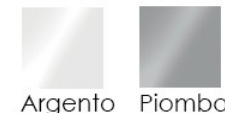
Marbles



Lacquered Glass



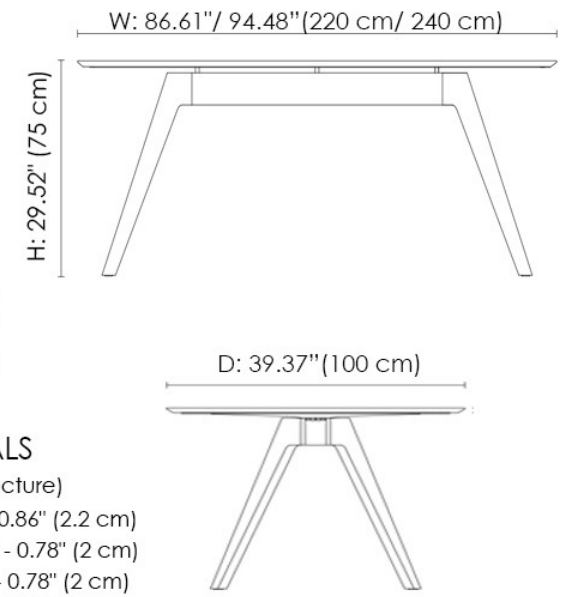
Glasses



Delta table top and legs are available in different materials and finishes. Beauty, stability and elegance mingle in a mix of equilibria and materials from which Delta is born. The gently tapered base makes the table harmonious and light, while fulfilling a static function for a structure with ultimate stability and sturdiness. The table top perfectly exploits the table base surface.



Model TOH10R / TOH10T



MATERIALS

- Metal (Structure)
- Wood th - 0.86" (2.2 cm)
- Terrazzo th - 0.78" (2 cm)
- Marble th - 0.78" (2 cm)
- Glass th - 0.86" (2.2 cm)
- Marble Glass th - 0.86" (2.2 cm)
- Transparent Glass th - 0.47" (1.2 cm)