

Ripiego Folding Stool

Designer - Arch. Giuliano Cappelletti & Studio Ozeta

FINISHES

Seat And Back Finish - Wood, Metal, Fiber Glass



FL51 Neutral



FL54 Orange



FL56 Red



FL57 Fume



FL59 Cola



VC61 White



VC68 Black



VX41 Ghiaccio



PW91 Natural



PW61 White



PW94 Carbone



PW95 Cenere



MT98 Graphite



PW97 Tabacco



VX48 Black



FL58 Petrolio

Structure Finish - Metal



MT98 Graphite

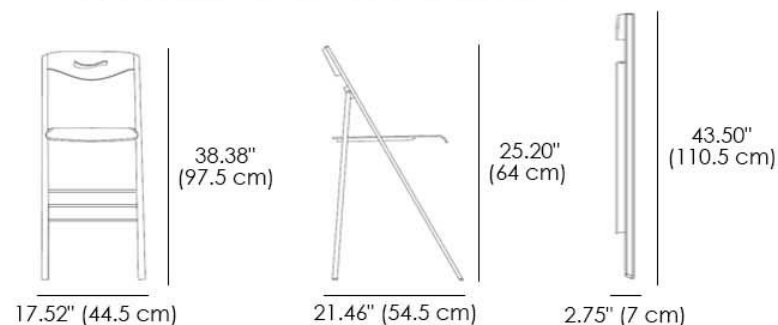
MATERIALS

- Metal
- Wood
- Fiber Glass

Folding stool with metal frame, seat and back in vitrex, wood or perforated sheet metal.



Metal Frame Vitrex or Wood Seat & Base



Metal Frame Perforated Metal Seat & Back

