

Nobys Folding Chair

Designer - Giuliano Cappelletti, Enzo Pozzoli

FINISHES

Seat And Back Finish - Polypropylene



PL01 White



PL05 Moka



PL06 Mastice



PL18 Graphite

Structure Finish - Metal



MT61 White



MT98 Graphite



MT63 Matte



MT65 Mastice

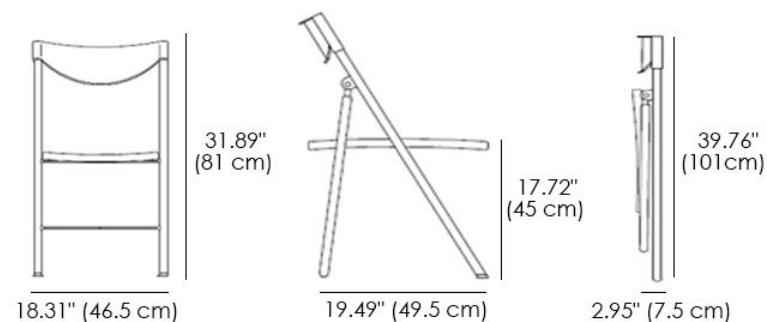
MATERIALS

- Plastic
- Metal

Folding chair with metal frame, seat and back in polypropylene.

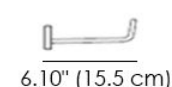
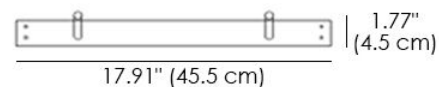


Nobys Folding Chair



Nobys Folding Chair Optional Equipment

Wall Hanger



Rolling Cart

