

Metro Quadro Extendable Dining Table

Designer - Toshiyuki Yoshino & Studio Ozeta

FINISHES

Top Finish - Glass



CC08 Noir Desir CC07 Calacatta CC10 Emperador

Structure Finish - Metal



MT97 Bronze MT98 Graphite

MATERIALS

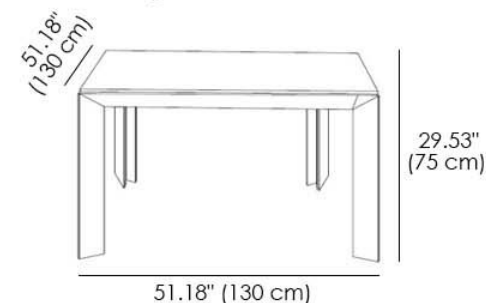
- Glass
- Metal

Dining table in extruded aluminum, extendable also in the structure, top and retractable extension in ceramic laminated glass. 2 legs with wheels.



Metro Quadro Dining Table

Original 8 - Seats



Extended 10 - Seats

