

DRESSME

FINISHES

STRUCTURE + BASE FINISH



ANTHRACITE GREY

TOPPERS + ACCESSORIES FINISH



SATIN BRASS



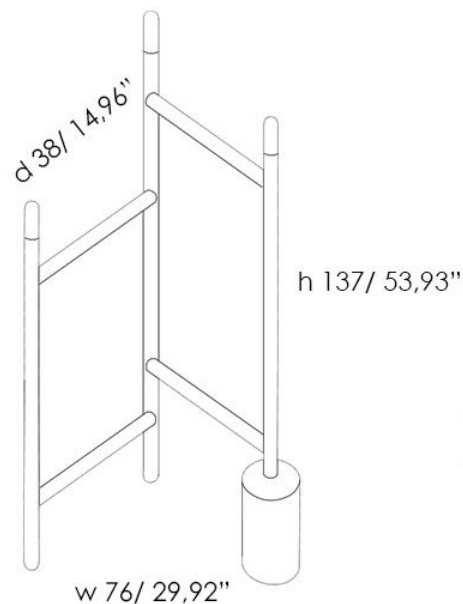
SATIN NICKEL

MATERIALS

- METAL
- CONCRETE
- MIRROR

DRESSME - VALET STAND

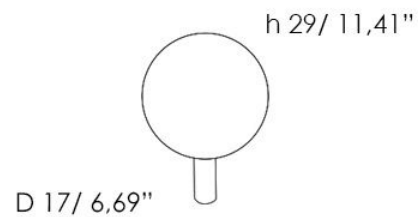
A perfect balance of design and research of materials.
Always different configurations are the essence of dressme.



OVERALL DIMENSIONS

w 76 x d 38 x h 137 cm
w 29,92" x d 14,96" x h 53,93"

ACCESSORY



SUPPORT

