

CLEOPATRA

FINISHES

STRUCTURE FINISH



WHITE METAL

BASE FINISH



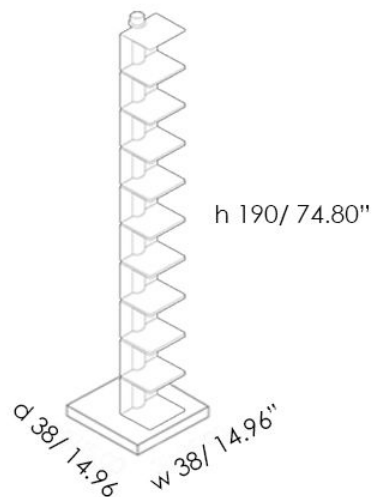
INOX STEEL- MIRROR

MATERIALS

- METAL

**CLEOPATRA - BOOKCASE**

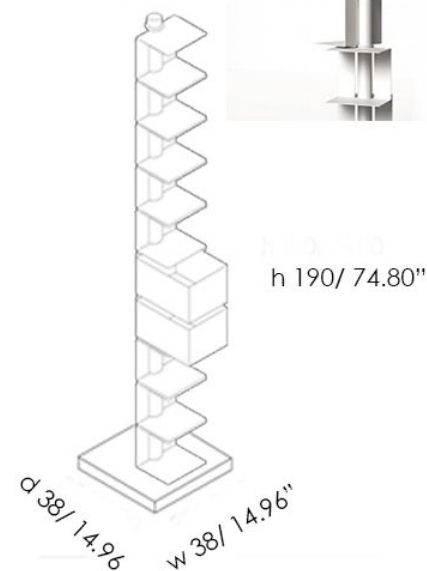
complete with 10 shelves or 8 shelves and 2 drawers  
in iron painted with thermosetting powders in  
white or anthracite gray.



**Cleopatra Bookcase With 10 Shelves**

**Overall Dimensions**

w 38 x d 38 x h 190 cm  
w 15" x d 15" x h 74.80"



**Cleopatra Bookcase With 2 Drawers And 8 Shelves**