

FINISHES

Top



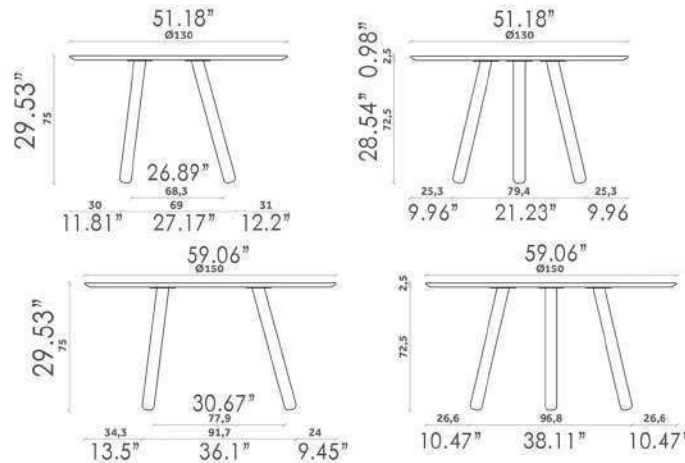
Legs



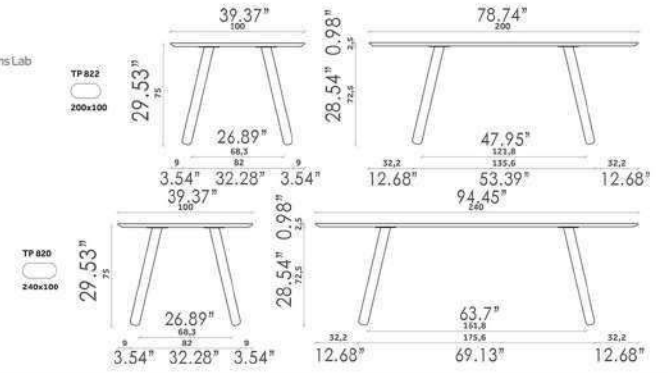
MATERIALS:

- Lacquer
- Wood
- Marble
- Porcelain Stoneware

PIXIE
Tavolo/Table
Design Miniforms Lab
ROUND TOPS



PIXIE
Tavolo/Table
Design Miniforms Lab
OVAL TOPS



PIXIE
Tavolo/Table
Design Miniforms Lab
RECTANGULAR TOPS

