

FINISHES

Structure Wood



Beech tree

Terminals Wood



Beech tree



Marrone lacquered



Anthracite lacquered



Bianco lacquered



Bionzio lacquered



Pino lacquered



Burro Lacquered



Nuvola Lacquered



Creta Lacquered



Grigio Seto lacquered



Nero lacquered



Bloody Mary Lacquered



Pompei lacquered



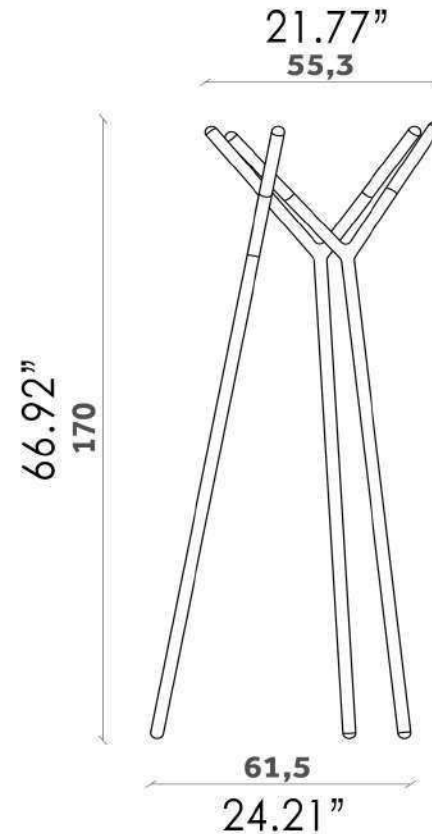
Zucca lacquered

GAME OF TRUST

Coat rack

Design Yiannis Ghikas

AP 10



MATERIALS:

- Wood
- Lacquer