

LUMSOMSM, MD, BG

LUME

FINISHES

GLASS FINISH



CLEAR GLASS



FUME GLASS

METAL STRUCTURE FINISH



CHROME



BLACK NICKEL

TECHNICAL INFO

LIGHT BULB: E27 1X MAX 60W

VOLTAGE: 110V

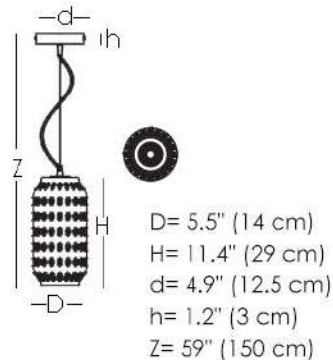
MATERIALS

GLASS, METAL

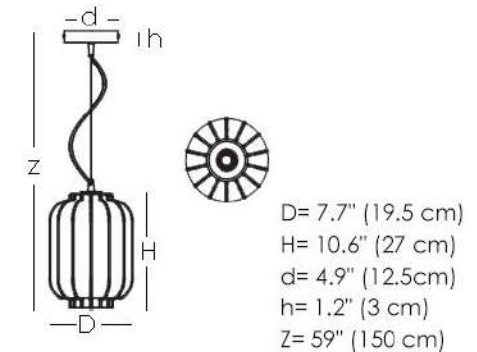
The Lume suspended lamp available in clear glass with polished chrome finish and smoke glass with black nickel finish. Murano vase, this represents Lume.



LUMSOMSM (Small)



LUMSOMMD (Medium)



LUMSOMBG (Large)

