

2392/P3 2392/P

TEA

FINISHES

GLASS FINISH



SATIN GLASS

METAL STRUCTURE FINISH

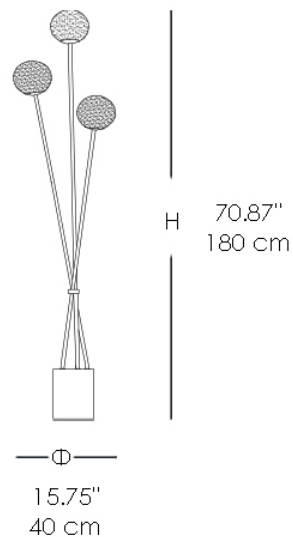


GOLD NICKEL - ANTHRACITE

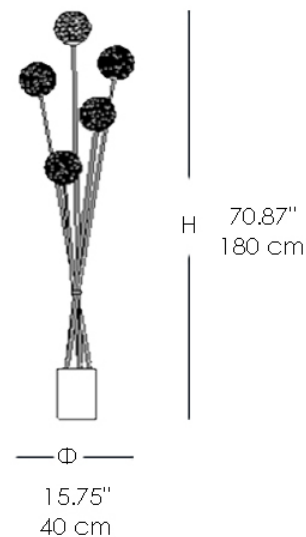


MATTE BLACK

The Tea Floor lamp in metal with gold nickel and anthracite finish.
Blown satin glass diffusers.



Tea Floor Lamp(2392/P3)



Tea Floor Lamp(2392/P)



TEA FLOOR LAMP(2392/P3)

LIGHT SOURCES

ECO HALOGEN: 3X20W - G9 BASE
LED: 3X2.5W - G9 BASE

CERTIFICATIONS



TECHNICAL INFO

VOLTAGE: 110V

TEA FLOOR LAMP(2392/P)

ECO HALOGEN: 5X20W - G9 BASE
LED: 5X2.5W - G9 BASE

MATERIALS

GLASS, METAL