

3050/S3
ROSE

This Rose pendant lamp with blown glass diffusers with shiny coating finish and metal structure with chrome or iron grey finish.

FINISHES

GLASS FINISH



SHINY TITANIUM COATING GLASS



SHINY PINK GOLD COATING GLASS



SHINY GOLD COATING GLASS



CLEAR GLASS

METAL STRUCTURE FINISH



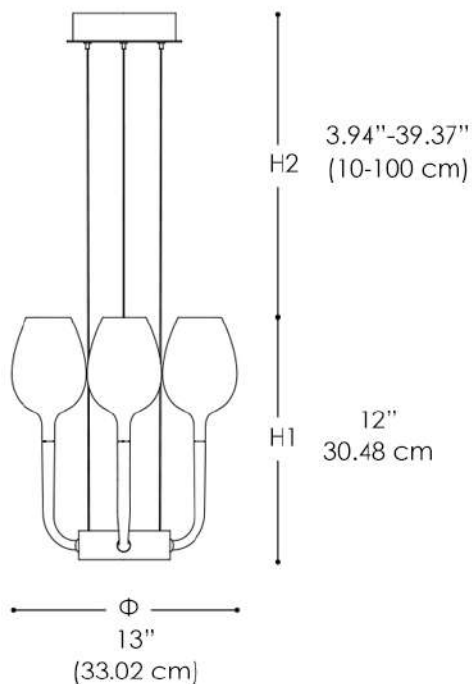
IRON GREY



CHROME



SHINY GOLD



LIGHT SOURCES

LED: 3X6W - E12

CERTIFICATIONS



TECHNICAL INFO

VOLTAGE: 120V
DIMMING: TRIAC

MATERIALS

GLASS, METAL