

8163/S

# RITA

## FINISHES

### GLASS FINISH



YELLOW BALLOTON

### DIFFUSER FINISH



HANDCUT CRYSTAL

### METAL STRUCTURE FINISH

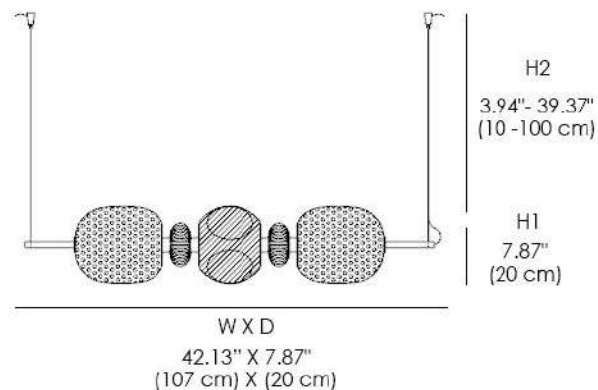
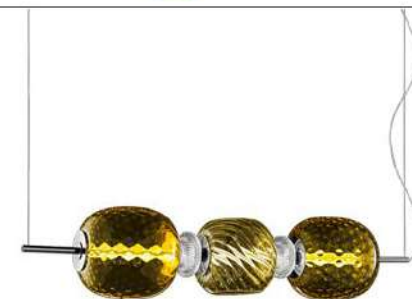


NICKEL



LIGHT GOLD

Pendant with metal structure in light gold finish and hand cut crystal diffuser. Available in different colors. Classic Catalogue Opera.



### LIGHT SOURCES

TEMPERATURE: 3000K  
LUMEN: 300  
LED: 27W

### TECHNICAL INFO

VOLTAGE: 110V

### MATERIALS

CRYSTAL, GLASS, METAL