

725/AP1
QUARZO

The Quarzo single arm wall sconce features a metal with light gold and chrome finish along with a beautiful carved crystal glass diffuser.



FINISHES

GLASS FINISH

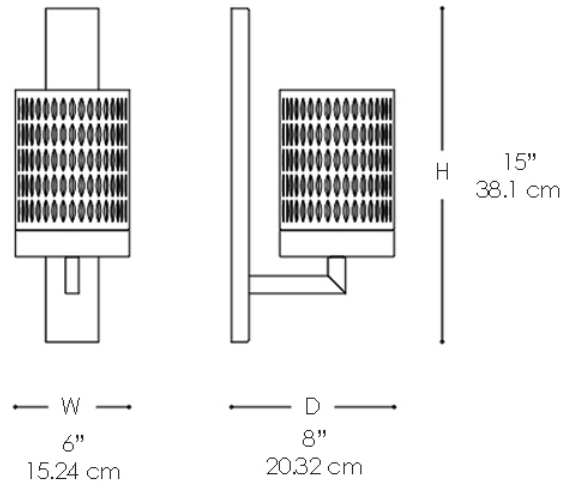


CLEAR GLASS

METAL STRUCTURE FINISH



LIGHT GOLD - CHROME



LIGHT SOURCES

TEMPERATURE: 3000K
LUMEN: 600
LED: 6.5W
CRI: >90

CERTIFICATIONS



TECHNICAL INFO

Voltage: 120V
Driver: Included
Dimming: TRIAC

MATERIALS

GLASS, METAL