

439/SP20

PULSA SPIRA

FINISHES

GLASS FINISH



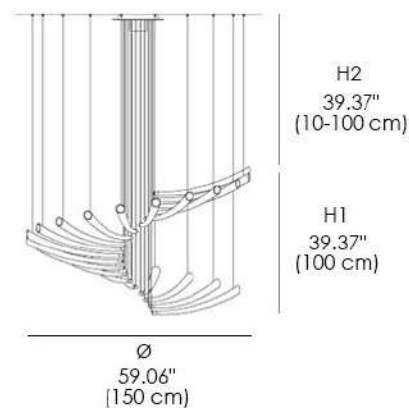
WHITE FADED GLASS

METAL STRUCTURE FINISH



IRON GREY

Suspension composition with white shaded artistic glass.
Metal structure with iron grey finish.



LIGHT SOURCES

TEMPERATURE: 3000K
LUMEN: 3700
LED: 36W
CRI: >80

CERTIFICATIONS



TECHNICAL INFO

VOLTAGE: 110V

MATERIALS

GLASS, METAL